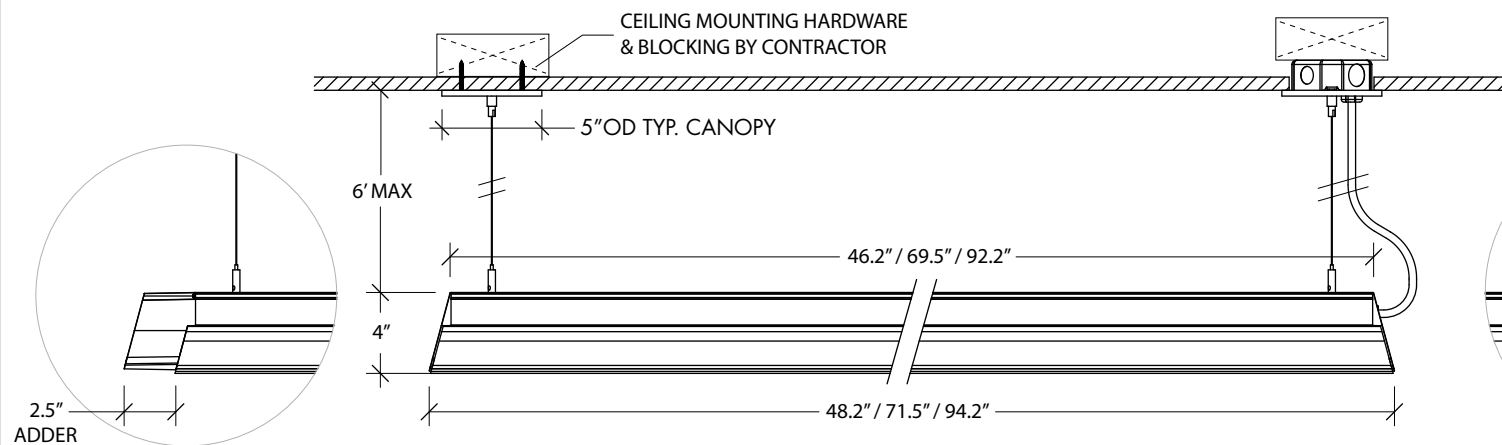


# LANTANA 2.0 Integral Pendant Mount Installation Guide



## NOTICE:

- For correct installation, a qualified electrician should install this product.
- Before installation of any luminaire onto an electrical junction box, be sure to disconnect power.
- This luminaire must be wired and grounded in accordance with the National Electrical Code, local codes, and ordinances.
- Wire supply connections must be made with UL approved connectors.
- Confirm that luminaire and supply voltage are the same.



## CAUTION:

- FIXTURE WEIGHT APPROXIMATELY 9-12 LBS.
- CONTRACTOR REQUIRED TO PROVIDE APPROPRIATE STRUCTURAL SUPPORT (JUNCTION BOXES, CEILING TILE BRIDGE, FRAMING, ETC) FOR FIXTURE TO MEET LOCAL CODE REQUIREMENTS.
- AVOID INSTALLING THIS FIXTURE NEAR AREAS OF HIGH AIR MOVEMENT (HVAC VENTS, DOORWAY, WINDOWS) TO MINIMIZE FIXTURE SWAY.
- DO NOT FEED EXCESS AIRCRAFT CABLE INTO FIXTURE OR JUNCTION BOX WHERE ELECTRIC WIRES ARE LOCATED
- EXERCISE SPECIAL CARE AND SAFETY WHILE INSTALLING AND SERVICING LUMINAIRE.
- USE OF SOFT GLOVES AND PADDED MATERIALS ARE RECOMMENDED DURING HANDLING TO AVOID MARRING THE FINISH.
- COMPONENTS MAY BE CLEANED WITH SOFT DAMP OR DRY CLOTH.

## INSTRUCTIONS:

1. Disconnect electrical lighting circuit (at breaker panel).
2. Secure fixture to appropriate structural supports with grippers, aircraft and couplings. Please check all local codes before install. (If mounting to dry wall recommend the use of toggle bolts, etc. for non-powered end) **(\*\*mounting solely to ceiling tile is HIGHLY discouraged\*\*)**
3. Attach the barstrap on the powered end to the junction box (by others). Feed cables (and cord) through the canopy holes before securing to structure/j-box. (DO NOT secure canopies yet until step 8) Please check all local codes before install.
4. Using the aircraft cable and grippers level fixture (Suspension points can be adjusted/fine tuned at the end)
5. Wiring Fixture to source AC wiring, using UL listed wire connectors: connect the neutral (white) wire to the supply neutral, connect the luminaire line wire (black) to the supply line wire, and connect the ground (green) wire to the supply ground. (If EM fixture connect any sense EM wiring)
6. If required: Wire the fixture's 0-10V dimming to source dimming wiring, using UL listed wire connectors.
7. Inspect wire connections. (Including any EM wiring if applicable)
8. Secure canopies using the threaded end of cable assembly couplings.
9. Attach and secure strain relief to the whip, press fit strain relief into canopy.
10. Restore power to lighting circuit and test installation.  
NOTE: If there are emergency (EM) segments please follow steps 12-13 on the supplemental EM instructions to test
11. Enjoy your new luminaire!

