

LANTANA 2.0 Integral Surface Mount 2.0 Installation Guide

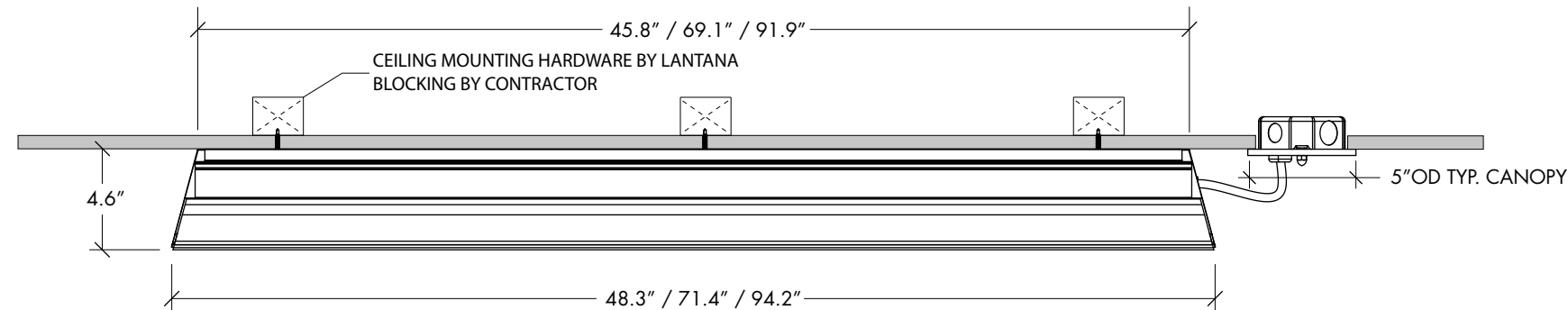


NOTICE:

- For correct installation, a qualified electrician should install this product.
- Before installation of any luminaire onto an electrical junction box, be sure to disconnect power.
- This luminaire must be wired and grounded in accordance with the National Electrical Code, local codes, and ordinances.
- Wire supply connections must be made with UL approved connectors.
- Confirm that luminaire and supply voltage are the same.

CAUTION:

- INTEGRAL FIXTURE W/ SURFACE MOUNT UNIT WEIGHT APPROXIMATELY 9-16 LBS (4 - 8FT RESPECTIVELY).
- CONTRACTOR REQUIRED TO PROVIDE APPROPRIATE STRUCTURAL SUPPORT (JUNCTION BOXES, CEILING TILE BRIDGE, FRAMING, ETC) FOR FIXTURE TO MEET LOCAL CODE REQUIREMENTS.
- EXERCISE SPECIAL CARE AND SAFETY WHILE INSTALLING AND SERVICING LUMINAIRE.
- USE OF SOFT GLOVES AND PADDED MATERIALS ARE RECOMMENDED DURING HANDLING TO AVOID MARRING THE FINISH.
- COMPONENTS MAY BE CLEANED WITH SOFT DAMP OR DRY CLOTH.



INSTRUCTIONS:

1. Disconnect electrical lighting circuit (at breaker panel).
2. Secure mounting rail to appropriate structural support using the (2-4) supplied self drilling screws. Alt. Drill holes for user supplied hardware to mechanically fasten fixture to structure. Please check all local codes before install. (If mounting to dry wall recommend the use of toggle bolts, etc.) ****Mounting solely to ceiling tile is HIGHLY discouraged****
3. Place (1) mounting rail end cap into mounting rail on opposite end from j-box.
4. Line up fixture mounting rail to the ceiling mounting rail and gently slide in until you make contact with the mounting rail end cap.
5. Attached the second mounting rail endcap. Ensure it is fully engaged and tight.
6. Attach the supplied barstrap to j-box (by others) with (2) appropriately sized machine screws
7. Feed whip though strain relief, press fit strain relief into canopy.
8. DO NOT attach canopy and cable to the barstap until wiring is complete.
9. Wiring Fixture to source AC wiring, using UL listed wire connectors: connect the neutral (white) wire to the supply neutral, connect the luminaire line wire (black) to the supply line wire, and connect the ground (green) wire to the supply ground.
10. Wiring Fixture 0-10V dimming to source dimming wiring, using UL listed wire connectors: connect the fixture wire to the dimmer violet wire, connect the fixture pink to the dimmer pink wire (older models may have gray in lieu of pink).
8. Inspect wire connections.
9. Secure canopy to the barstap with the supplied hardware.
10. Restore power to lighting circuit and test installation.
11. Enjoy your new luminaire!

