

LANTANA 2.0 REMOTE Surface Mount 2.0 Installation Guide

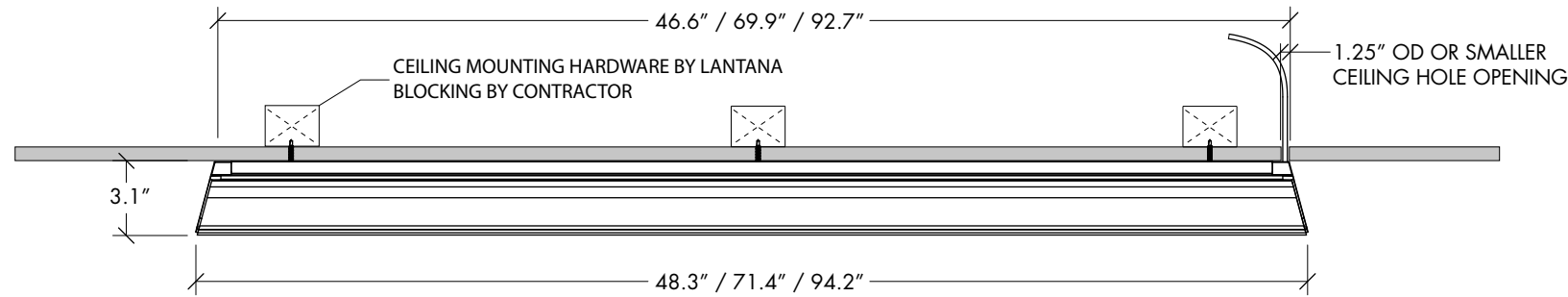


NOTICE:

- For correct installation, a qualified electrician should install this product.
- Before installation of any luminaire onto an electrical junction box, be sure to disconnect power.
- This luminaire must be wired and grounded in accordance with the National Electrical Code, local codes, and ordinances.
- Wire supply connections must be made with UL approved connectors.
- Confirm that luminaire and supply voltage are the same.

CAUTION:

- INTEGRAL FIXTURE w/ SURFACE MOUNT UNIT WEIGHT APPROXIMATELY 6-12 LBS (4 - 8FT RESPECTIVELY).
- CONTRACTOR REQUIRED TO PROVIDE APPROPRIATE STRUCTURAL SUPPORT (JUNCTION BOXES, CEILING TILE BRIDGE, FRAMING, ETC) FOR FIXTURE TO MEET LOCAL CODE REQUIREMENTS.
- EXERCISE SPECIAL CARE AND SAFETY WHILE INSTALLING AND SERVICING LUMINAIRE.
- USE OF SOFT GLOVES AND PADDED MATERIALS ARE RECOMMENDED DURING HANDLING TO AVOID MARRING THE FINISH.
- COMPONENTS MAY BE CLEANED WITH SOFT DAMP OR DRY CLOTH.



INSTRUCTIONS:

1. Disconnect electrical lighting circuit (at breaker panel).
2. Secure mounting rail to appropriate structural support using the (2-4) supplied self drilling screws. Alt. Drill holes for user supplied hardware to mechanically fasten fixture to structure. Please check all local codes before install. (If mounting to dry wall recommend the use of toggle bolts, etc.) ****Mounting solely to ceiling tile is HIGHLY discouraged****
3. Make a hole in the ceiling to pass on site cabling from the remote driver to the fixture whip and make sure splicing points are accessible and can be hidden behind the ceiling during the installation. Recommended hole size 1.25" or less.
4. Line up fixture mounting rail to the ceiling mounting rail and gently slide in the fixture from its non whip end and pass it 3-4 inches beyond the end of the mounting rail.
5. Make low voltage splicing between the fixture whip and site cabling from the remote driver per local and N.E.C. electrical code.
6. Inspect wire connections.
7. Start pushing fixture whip through the open ceiling hole hiding splicing wires and gently slide fixture centering over ceiling mounting rail.
8. Place both mounting rail end caps into mounting rail from non whip and whip ends.
6. Ensure it is fully engaged and tight.
8. Inspect wire connections.
9. Secure canopy to the barstap with the supplied hardware.
10. Restore power to lighting circuit and test installation.
11. Enjoy your new luminaire!

