

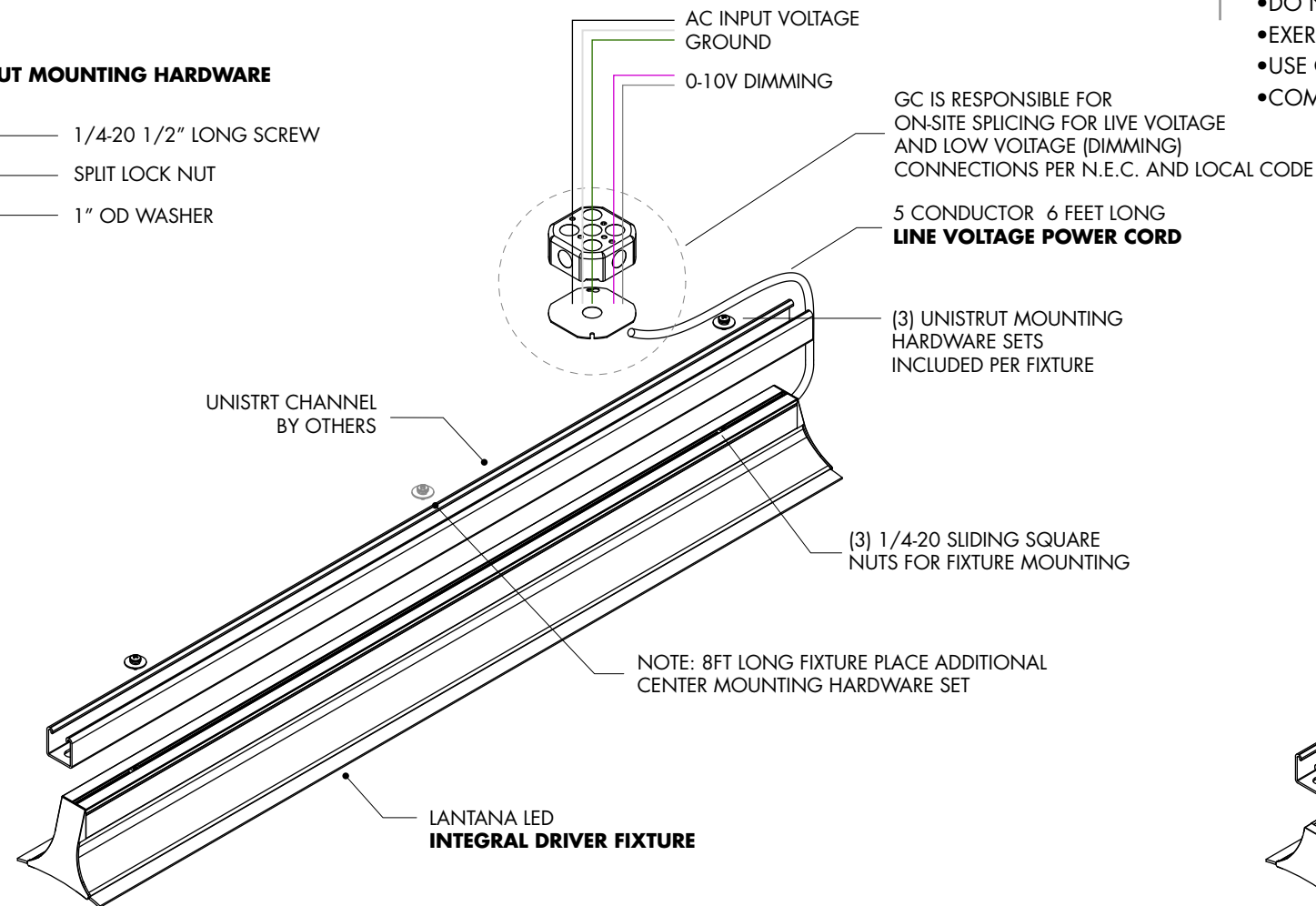
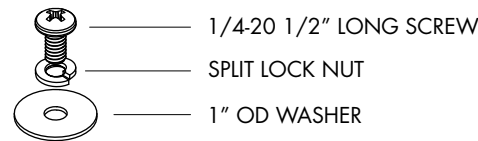
LANTANA 2.0 Integral & Remote Unistrut Mount Installation Guide



NOTICE:

- For correct installation, a qualified electrician should install this product.
- Before installation of any luminaire onto an electrical junction box, be sure to disconnect power.
- This luminaire must be wired and grounded in accordance with the National Electrical Code, local codes, and ordinances.
- Wire supply connections must be made with UL approved connectors.
- Confirm that luminaire and supply voltage are the same.

UNISTRUT MOUNTING HARDWARE

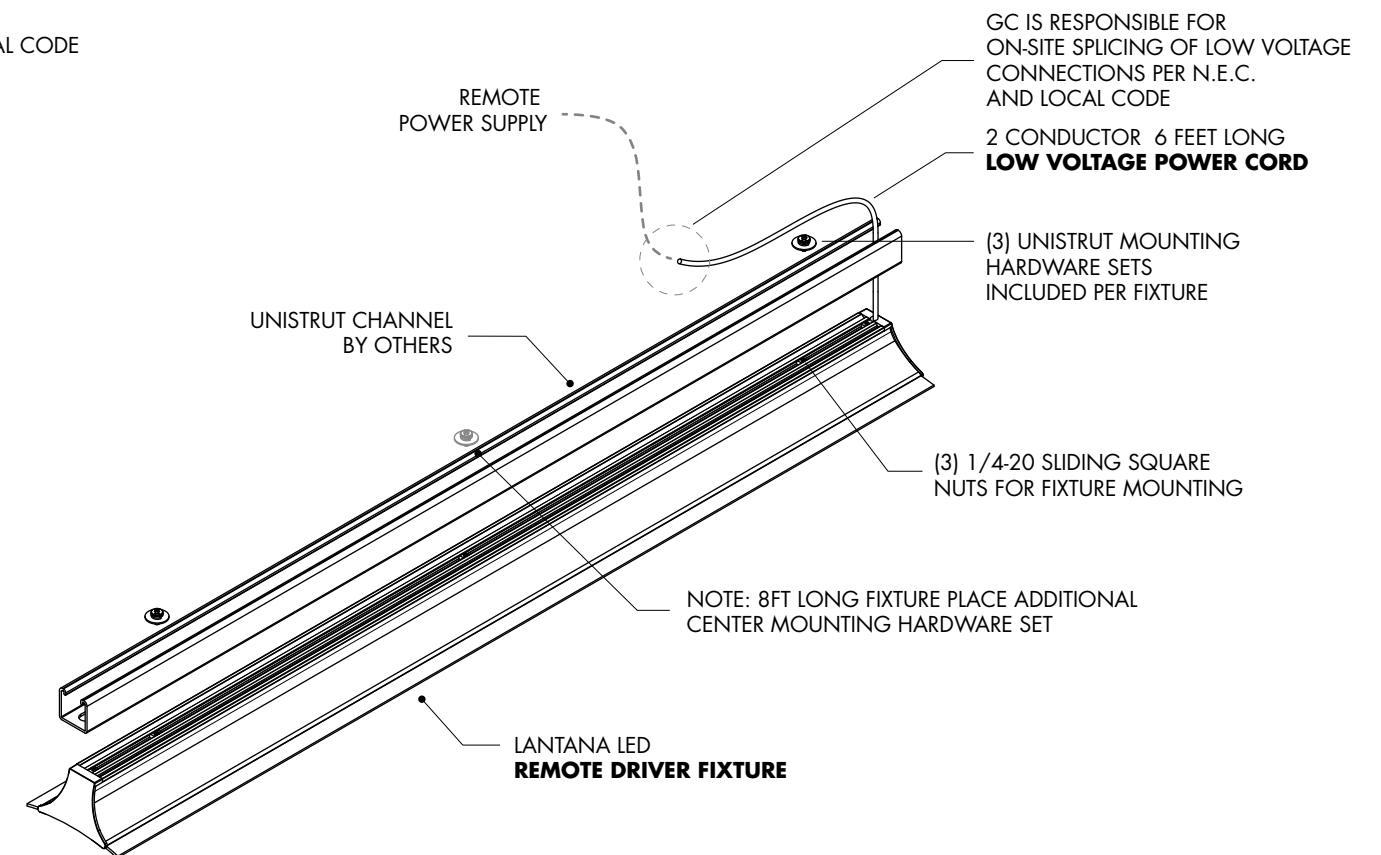


INSTRUCTIONS:

1. Disconnect electrical lighting circuit (at breaker panel).
2. Secure fixture to appropriate Unistrut structural supports with screws, nuts and washers. Please check all local codes before install.
3. **INTEGRAL FIXTURE:** Wiring Fixture to source AC wiring, using UL listed wire connectors: connect the neutral (white) wire to the supply neutral, connect the luminaire line wire (black) to the supply line wire, and connect the ground (green) wire to the supply ground. (If EM fixture connect any sense EM wiring).
4. If required: Wire the fixture's 0-10V dimming to source dimming wiring, using UL listed wire connectors.

CAUTION:

- FIXTURE WEIGHT APPROXIMATELY 4-9 LBS REMOTE / 9-12 LBS INTEGRAL.
- CONTRACTOR REQUIRED TO PROVIDE APPROPRIATE STRUCTURAL SUPPORT (JUNCTION BOXES, CEILING TILE BRIDGE, FRAMING, ETC) FOR FIXTURE TO MEET LOCAL CODE REQUIREMENTS.
- AVOID INSTALLING THIS FIXTURE NEAR AREAS OF HIGH AIR MOVEMENT (HVAC VENTS, DOORWAY, WINDOWS) TO MINIMIZE FIXTURE SWAY.
- DO NOT FEED EXCESS AIRCRAFT CABLE INTO FIXTURE OR JUNCTION BOX WHERE ELECTRIC WIRES ARE LOCATED
- EXERCISE SPECIAL CARE AND SAFETY WHILE INSTALLING AND SERVICING LUMINAIRE.
- USE OF SOFT GLOVES AND PADDED MATERIALS ARE RECOMMENDED DURING HANDLING TO AVOID MARRING THE FINISH.
- COMPONENTS MAY BE CLEANED WITH SOFT DAMP OR DRY CLOTH.



5. **REMOTE FIXTURE:** Wiring Fixture to source DC wiring, using UL listed wire connectors: connect the luminaire positive (red) wire to the power supply positive output, connect the luminaire negative (black) to the power supply negative output.
6. Inspect wire connections. (Including any EM wiring if applicable)
7. Restore power to lighting circuit and test installation.
8. Enjoy your new luminaire!