

LANTANA  LED

NEOTERIC EDGE LIT PANEL

SPECIFICATION & PERFORMANCE



SPECIFICATIONS
LUMENS & SIZES
MOUNTING
INTEGRAL PERFORMANCE

PAGE 2
PAGE 3
PAGE 4
PAGE 5

LANTANA LED NEOTERIC EDGE LIT PANEL SPEC.

INTENDED USE - Hospitality, retail, healthcare, and commercial interior applications, including reception areas, conference rooms, lobbies, and corporate offices.

OPTICS - 80/90/97 CRI. Up to 118.7 Lumens per Watt. L90 >61,000 hours. 0-10V Dimming down to 1%. 100% direct lighting distribution.

CONSTRUCTION - Non-ferrous, engineered to fit multiple ceiling grid types. Available in white and black matte powder coat, and custom metallic powder coat finish. IC-Rated for safe contact with insulation.

COMPATIBILITY - Compatible with most standard building controls and protocols, including occupancy sensors and daylight harvesting systems. Compatible with multiple structural ceiling grids.



ELECTRICAL - UL 1598 Line voltage integral LED fixture with Class 2 constant current driver 120/277V. UL 924 Optional onboard emergency battery backup.

UL 1598 Remote low voltage LED. UL 2108 Remote distributed low-voltage 48V DC power.

UL Certified for Elevated Ambient Operating Temperatures 70°C Remote, 55°C Integral, 35°C Integral Emergency.

ENVIRONMENTAL- 100% recycled aluminum with powder coat finish and recyclable acrylic lens. Meets Title 24 California Building Energy Efficiency Standards to ensure energy efficiency and conservation in new construction and renovated buildings.

WARRANTY - 10-year limited warranty. No other statements in this specification sheet establish any warranty of any nature. All other express and implied warranties are explicitly disclaimed. For comprehensive warranty terms, please visit: www.lantanaled.com

GOVERNMENT PROCUREMENT - Under the TAA, products manufactured in designated countries are considered "TAA compliant" and eligible for government procurement.

ORDERING INFORMATION

FIXTURE	POWER & MOUNT	SIZE	LUMENS ³
NELP-Neoteric Edge Lit Panel	IR-Integral Recessed	12-1x2	L1- L8-
	IEMR-Integral Emergency Recessed	14-1x4	L2- L9-
	ILC-Integral Linear Canopy ²	22-2x2	L3- L10-
	ICC-Integral Compact Canopy ²	24-2x4	L4- L11-
	RR-Remote Recessed ¹		L5- L12-
	RP-Remote Pendant ¹		L6- L13-
			L7- L14-
CRI	FINISH	CEILING GRID ⁵	
80- 80+ CRI	WH- White Matte	SG- Standard Grid ⁶	GXG- Gordon DG X-Span Grid
90- 90+ CRI	BL- Black Matte	ADG- Armstrong DynaMax	TG- Tate GRID
97- Circadian	CU- Custom ⁴	ADGP- Armstrong DynaMax Plus	TD- Tate DUO
		GGI- Gordon DG 1.5	PP- Polargy PICS ⁷
		GG3- Gordon DG 3.0	PPG- Polargy PICS Global ⁷
			XX- Pendant

Special Pricing Options:

- Remote RDU bundle - requires RDU purchase

Footnotes

- 1.Remote requires a distributed low-voltage driver unit or an alternative DC power source.
- 2.Includes class 2 driver, emergency not available.
3. See Lumen table, page 2, for lumen output.
4. Use 97 CRI for dynamic circadian, for static circadian indicate CCT & 97 CRI.
5. Specify RAL#. Custom colors may incur additional charges.
 - a. Find options at www.Tiger-Coatings.com Metallics & Special Effects Vol. 2
6. Verify sizing of structural grid prior to ordering.
7. Standard Grids are non-structural based on 24" and 48" on center (9/16", 15/16")
8. Polargy is ONLY available in 1'x4' and 2'x4' sizes.

Part Number

Quantity

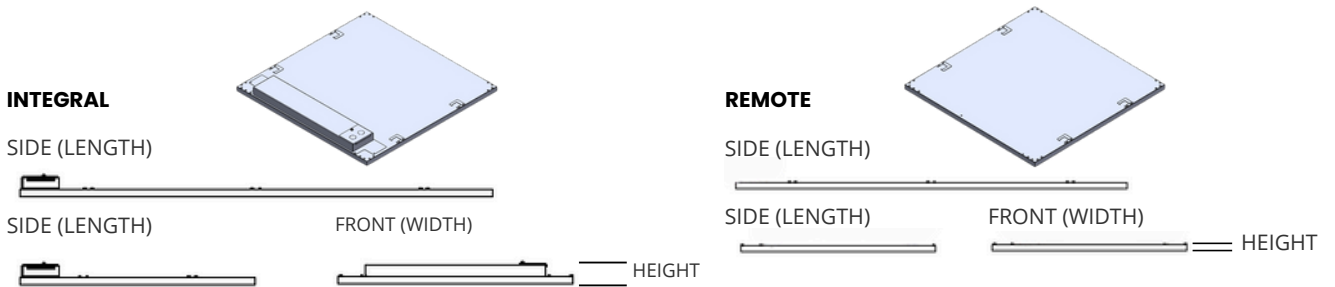
Notes

LANTANA LED NEOTERIC EDGE LIT LUMENS & SIZES

LUMEN PACKAGES

DELIVERED LUMENS TESTED AT 4000K 80 CRI

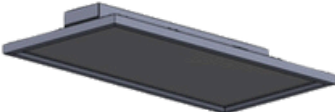
SIZE	SKU	TOTAL WATTS	119 Lm/W 80 CRI	100 Lm/W 90 CRI	SIZE	SKU	TOTAL WATTS	119 Lm/W 80 CRI	100 Lm/W 90 CRI
1x2 2x2	L1	10	1187	1002	1x4 2x4	L8	45	5342	4508
	L2	15	1781	1503		L9	50	5935	5009
	L3	20	2374	2004		L10	55	6529	5510
	L4	25	2968	2505		L11	60	7122	6011
	L5	30	3561	3006		L12	65	7716	6512
	L6	35	4155	3507		L13	70	8309	7013
	L7	40	4748	4007		L14	75	8903	7514



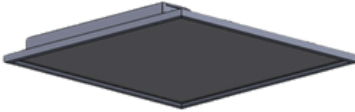
FIXTURE SIZE PER GRID	LENGTH		WIDTH		REMOTE		INTEGRAL		WEIGHT					
	IN	MM	IN	MM	IN	MM	IN	MM	LBS	KG				
	HEIGHT													
1 X 2 - STANDARD GRID (9/16 & 15/16)	23.75	603	12	305	0.87	22	2.00	51	6	2.72				
1 X 4 - STANDARD GRID (9/16 & 15/16)	47.75	1213	12	305					11	4.99				
2 X 2 - STANDARD GRID (9/16 & 15/16)	23.75	603	23.75	603					11.5	5.22				
2 X 4 - STANDARD GRID (9/16 & 15/16)	47.75	1213	23.75	603					23	10.44				
1 X 2 - ARMSTRONG D-MAX & D-MAX PLUS	22.875	581	12	305					6	2.72				
1 X 4 - ARMSTRONG D-MAX & D-MAX PLUS	46.875	1191	12	305					11	4.99				
2 X 2 - ARMSTRONG D-MAX & D-MAX PLUS	22.875	581	22.875	581					11.5	5.22				
2 X 4 - ARMSTRONG D-MAX & D-MAX PLUS	46.875	1191	22.875	581					23	10.44				
1 X 4 - POLARGY PICS & PICS GLOBAL	47.3	1201	12	305					11	4.99				
2 X 4 - POLARGY PICS & PICS GLOBAL	47.3	1201	23.3	592					23	10.44				
1 X 2 TATE GRID & TATE DUO	23.1875	589	12	305					6	2.72				
1 X 4 TATE GRID & TATE DUO	47.1875	1199	12	305					11	4.99				
2 X 2 TATE GRID & TATE DUO	23.1875	589	23.1875	589					11.5	5.22				
2 X 4 TATE GRID & TATE DUO	47.1875	1199	23.1875	589					23	10.44				
1 X 2 GORDON DG 1.5, DG 3.0, & DG X-SPAN	23.1875	589	12	305					6	2.72				
1 X 4 GORDON DG 1.5, DG 3.0, & DG X-SPAN	47.1875	1199	12	305					11	4.99				
2 X 2 GORDON DG 1.5, DG 3.0, & DG X-SPAN	23.1875	589	23.1875	589					11.5	5.22				
2 X 4 GORDON DG 1.5, DG 3.0, & DG X-SPAN	47.1875	1199	23.1875	589					23	10.44				
1 X 2 PENDANT DOWNLIGHT	23	584	12	305					.87	22	.87	22	6	2.72
1 X 4 PENDANT DOWNLIGHT	48	1219	12	305									11	4.99
2 X 2 PENDANT DOWNLIGHT	23	584	23	584	11.5	5.22								
2 X 4 PENDANT DOWNLIGHT	48	1219	23	584	23	10.44								
INTEGRAL CANOPY	24.5	622	1.78	45			45	1.56	40	2				
COMPACT CANOPY	5.375	137	5.375	137			137	1.56	40	2				

LANTANA LED NEOTERIC EDGE LIT MOUNTING

INTEGRAL



1X2 RECESSED



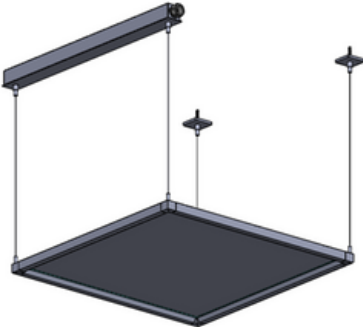
2X2 RECESSED



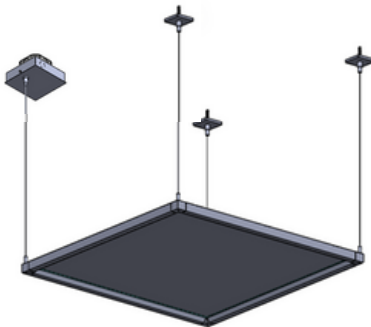
1X4 RECESSED



2X4 RECESSED



LINEAR CANOPY WITH DRIVER
(EMERGENCY NOT AVAILABLE)



COMPACT CANOPY WITH DRIVER
(EMERGENCY NOT AVAILABLE)

REMOTE



1X2 RECESSED



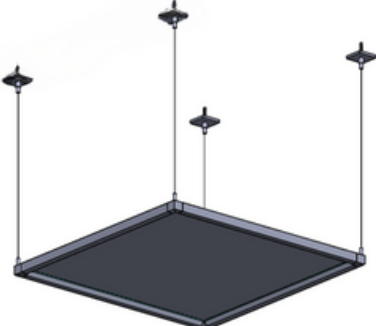
2X2 RECESSED



1X4 RECESSED



2X4 RECESSED



PENDANT

LANTANA LED NEOTERIC EDGE LIT PERFORMANCE

2X2 INTEGRAL 4000K 80 CRI

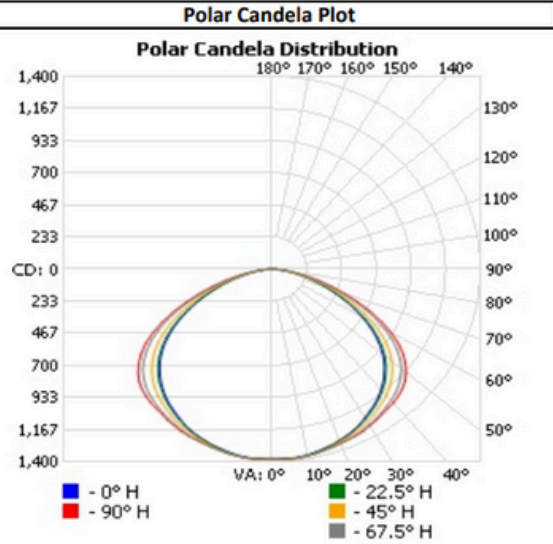
PHOTOMETRIC AND ELECTRICAL MEASUREMENTS

Base Orientation	Input Voltage (Vac)	Input Current (mA)	Input Power (W)	Input Power Factor (l)
Up	277.01	155.1	42.48	0.989

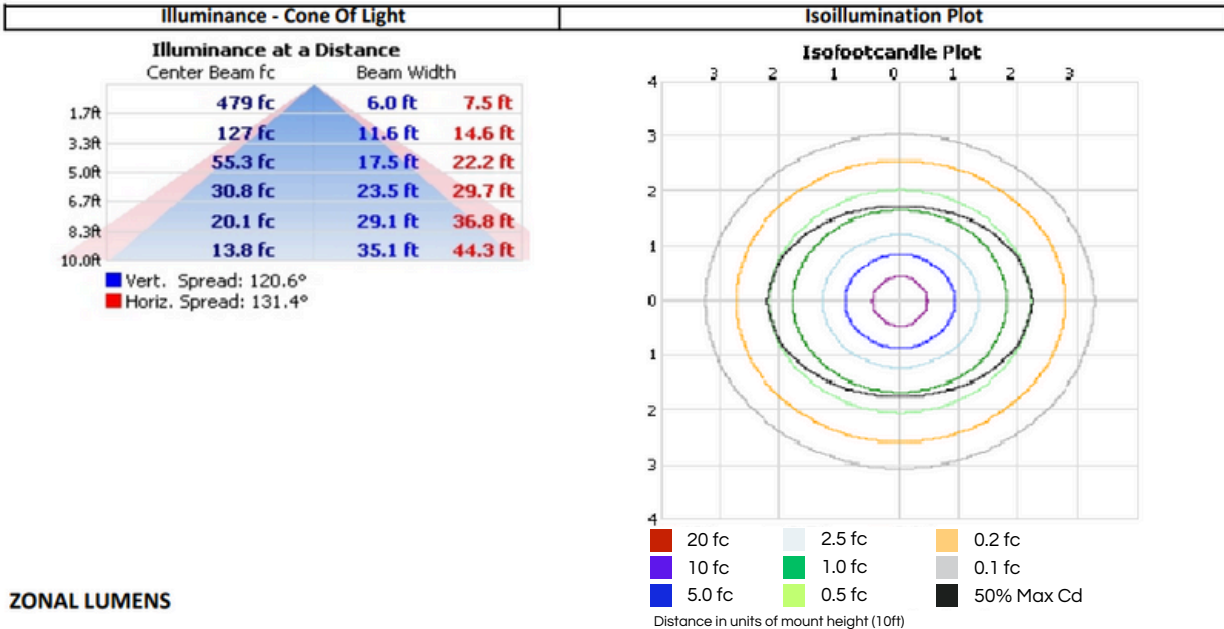
Light Output (lm)	Efficacy (lm/W)
4609.7	108.5

LUMINOUS INTENSITY SUMMARY (candela)

Vertical Angle (°)	Horizontal				
	0	22.5	45	67.5	90
0	1383	1383	1383	1383	1383
5	1383	1384	1386	1387	1386
10	1373	1373	1380	1380	1380
15	1351	1355	1363	1365	1361
20	1325	1330	1337	1349	1347
25	1293	1301	1311	1330	1336
30	1248	1259	1281	1305	1314
35	1200	1210	1241	1278	1288
40	1141	1152	1196	1244	1268
45	1066	1081	1135	1201	1236
50	974	991	1050	1135	1176
55	851	869	936	1027	1074
60	702	721	786	877	923
65	542	557	611	688	726
70	386	396	434	492	515
75	248	254	277	314	326
80	136	137	148	167	173
85	48	47	50	58	60
90	0	0	0	0	0
95	0	0	0	0	0



ILLUMINANCE SUMMARY



ZONAL LUMENS

Zonal Lumen Summary

Zone (°)	Lumens	Luminaire
0-30	1,123.3	24.4%
0-40	1,902.6	41.3%
0-60	3,625.1	78.6%
60-90	984.7	21.4%
70-100	369.7	8.0%
90-120	0.0	0.0%
0-90	4,609.7	100.0%
90-180	0.0	0.0%
0-180	4,609.7	100.0%

Zone (°)	Lumens	Total	Zone (°)	Lumens	Total
0-10	132.0	2.9%	90-100	0.0	0.0%
10-20	384.7	8.3%	100-110	0.0	0.0%
20-30	606.6	13.2%	110-120	0.0	0.0%
30-40	779.3	16.9%	120-130	0.0	0.0%
40-50	879.8	19.1%	130-140	0.0	0.0%
50-60	842.7	18.3%	140-150	0.0	0.0%
60-70	615.0	13.3%	150-160	0.0	0.0%
70-80	303.7	6.6%	160-170	0.0	0.0%
80-90	65.9	1.4%	170-180	0.0	0.0%