

# LANTANA LED

## EDGE HIGH BAY

### SPECIFICATION



Experience advanced high-bay lighting engineered for superior performance and flexibility, ideal for large commercial or industrial spaces with mounting heights up to 40 feet.



**Efficacy Up to:** 153 Lm/W

**Total Output:** 41,273 Lumens

**Max Watt:** 270

**CRI:** 80

**CCT:** Field Selectable 4000K/5000K

**UGR:** -

**Lifetime:** TM 21 L80~100,000

**Power Type:**

- Class 2 Integral Line Voltage
- Standard 120-370V with standard 0-10 dimming AUX driver

**Ambient Operating Temp:**

- -20°C to 40°C (18" from surface)

**Mounting:**

- Pendant
- Surface

**Warranty:** 5-Year

#### Additional Features

- Lens options for greater versatility
- Field selectable CCT & Wattage
- Optional intelligent plug & play controls or advanced Bluetooth connected controls for daylight harvesting, occupancy, and step dimming capabilities with detection ranges up to 100'
- Powerful luminous output
- Reduced glare with low UGR

#### Certifications & Standards

- UL 1598: Luminaires
- UL 924: Emergency
- TAA

#### Applications

- Industrial
- Warehouse
- Manufacturing
- Data Centers
- Suitable for Damp Locations

#### Environmental:

- Recyclable Materials
- Title 24 Compliant
- DLC Listed Premium

# EDGE HIGH BAY

## ORDERING INFORMATION

### Series/Type

**EHB**- Edge High Bay

### Field Selectable Wattage

**185/155/135**- Small 22.8"  
**270/230/200**- Large 30.7"

### Field Selectable CCT

**5K/4K**- 80 CRI, 5000K or 4000K

### Lens

**FR**- Frosted Acrylic  
**AL**- 60° Aisle\*

### Voltage

**U2**- 120V-347V

### Mounting

**ACY**- 10' Aircraft Hanging Kit  
**PM**- Pendant Mount Kit\*  
**SM**- Surface Mount Kit\*  
**3W**- 10' 3-Wire Cord

### Controls\*

**GBT**- PIR Bluetooth Sensor  
**OCC**- On/Off Microwave Occupancy Sensor with Daylight Harvesting

Remote Control required for OCC

### Accessories\*

**WG**- Wireguard  
**RC**- Remote Control for OCC  
**EM**- 25W 90-Minute 120/347 Emergency Lithium Battery

Project: \_\_\_\_\_

Date: \_\_\_\_\_

Part Number: \_\_\_\_\_

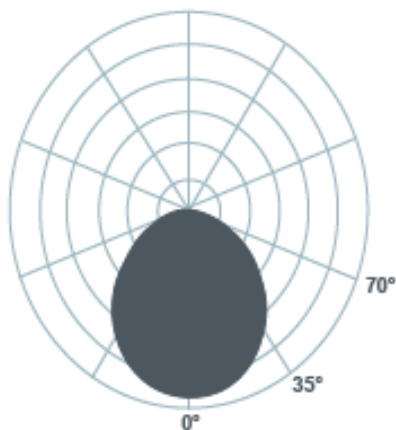
Qty: \_\_\_\_\_

Notes: \_\_\_\_\_

\*Additional costs may apply

# EDGE HIGH BAY

## PERFORMANCE



### ZONAL LUMENS

0-30	9.7%
0-40	48.4%
0-60	82.5%
60-90	17.2%
70-100	6.6%
90-120	0.1%
0-90	99.7%
90-180	0.3%
0-180	100%

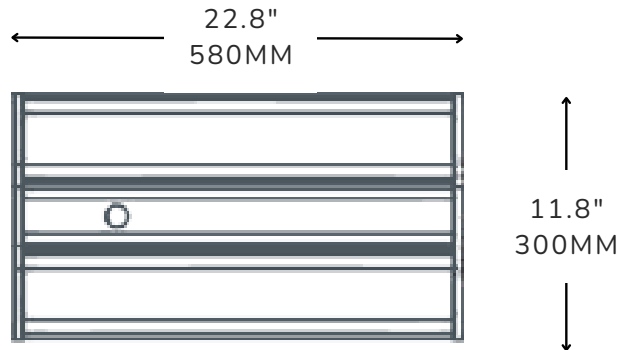
### LUMEN REFERENCE TABLE

CCT/CRI	Watts	Lumens	Lm/W
4000K, 80 CRI FR Lens	115	17611	153
	135	20572	152
	155	23503	152
	185	28133	152
	200	30421	153
	230	35112	153
	270	41273	152

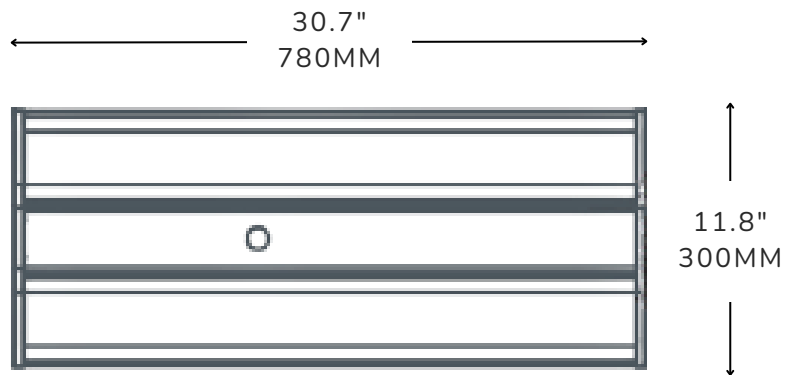
CCT/CRI	Watts	Lumens	Lm/W
5000K, 80 CRI FR Lens	115	17611	153
	135	20572	152
	155	23503	152
	185	28133	152
	200	30421	153
	230	35112	153
	270	41273	152

# EDGE HIGH BAY

## DIMENSIONS



Small  
185/155/135 Model



Large  
270/235/200 Model