

# LANTANA LED

## EDGE TRI-CURVE LINEAR

### SPECIFICATION



Distinctive curved linear design for seamless, flowing lines of light—ideal for creative and expansive layouts.



**Efficacy Up to:** 157.13 Lm/W

**Total Output:** 14,142

**Max Watt:** 90

**CRI:** 80, 90

**CCT:** 2700K-6500K

**UGR:** 23 4H/8H

**Warranty:** 5-Year

**Lifetime:** TM 21 L90>71,000

#### Power Type:

- Class 2 Integral Line-Voltage 120/277V
- Onboard Emergency Battery Backup
- Remote Distributed Low Voltage
- Power over Ethernet

#### Ambient Operating Temp:

- -30°C to 70°C Remote/PoE
- -20°C to 55°C Integral
- 4': 0°C to 45°C, 8': 0°C to 50°C Integral Emergency

#### Mounting:

- Suspended
- Unistrut
- Surface
- 45° Bracket

**Warranty:** 5-Year, upgradeable to 10-year w/wo drivers

#### Additional Features

- High Output Driver
- Replaceable Driver
- 0-10V Dimming Down to 1%
- 15.9% / 84.1% Single Channel
- Available in White or Black
- UL Certified for Elevated Ambient Operating Temperatures

#### Certifications

- UL 924: Emergency
- UL 1598: Luminaires
- UL 2108: Low-Voltage
- UL Certified for Elevated Ambient Operating Temperatures
- Declare
- TAA
- IDCA Certified G2 Applicable

#### Applications

- Education
- Commercial Office
- Hospitality
- Retail
- Data Centers
- Hot Aisle Containment
- Suitable for Damp Locations

#### Environmental:

- 100% Recycled Extruded Aluminum
- Recyclable Acrylic
- Title 24 Compliant
- Declare

# EDGE TRI-CURVE LINEAR

## ORDERING INFORMATION

Series/Type	Power	Size	Mounting
<b>ETCL-</b> Edge Tri-Curve Linear	<b>I-</b> Integral <b>IEM-</b> Integral EM <b>R-</b> Remote <b>POE-</b> PoE  Integral Emergency includes onboard emergency battery backup. Remote requires a distributed low-voltage driver unit (RDU) or an alternative DC power source. Sold separately.	<b>4-</b> Four Foot <b>8-</b> Eight Foot	<b>P-</b> Pendant <b>U-</b> Unistrut <b>UC-</b> Unistrut Clip* <b>UCB-</b> Unistrut Clip and Bracket* <b>S-</b> Surface <b>#B-</b> Custom Angle Bracket*  Enter angle for custom angle bracket

Optics	Distribution	Lumen Output
- NA	- NA	<b>L#-</b> L25-70      4' Std L75-L90      4' HO L65-L125      8' Std L130-L145      8' HO  See Lumen Tables for corresponding SKUs

Adaptive	CCT	CRI	Cord	Cord Color
- NA	<b>27-</b> 2700K <b>30-</b> 3000K <b>35-</b> 3500K <b>40-</b> 4000K <b>50-</b> 5000K <b>65-</b> 6500K	<b>80-</b> 80+ CRI <b>90-</b> 90+ CRI	<b>N-</b> None <b>3-</b> No Dim <b>5-</b> Dim <b>3E-</b> No Dim/EM On <b>4E-</b> No Dim-EM On/Off <b>5E-</b> Dim EM On <b>6E-</b> Dim EM On/Off	<b>N-</b> None <b>W-</b> White <b>B-</b> Black <b>S-</b> Silver Braided

Feed	Finish	End Cap	Sensors*
<b>N-</b> None <b>TFC-</b> Top Center <b>TFE-</b> Top End <b>SF-</b> Side	<b>WPC-</b> White Powder Coat <b>BPC-</b> Black Powder Coat	<b>WP-</b> White Plastic <b>BP-</b> Black Plastic	<b>JD-</b> JDRF Autonomy Sensor <b>LU-</b> Lutron Athena Wireless Node <b>WT-</b> Wattstopper FSP-202 <b>LD-</b> LANTANA Dip Switch <b>NL-</b> nLight PIR Sensors <b>CU-</b> Current NXSMP <b>LM-</b> LANTANA Microwave

Project: \_\_\_\_\_ Date: \_\_\_\_\_

Part Number: \_\_\_\_\_ Qty: \_\_\_\_\_

Notes: \_\_\_\_\_

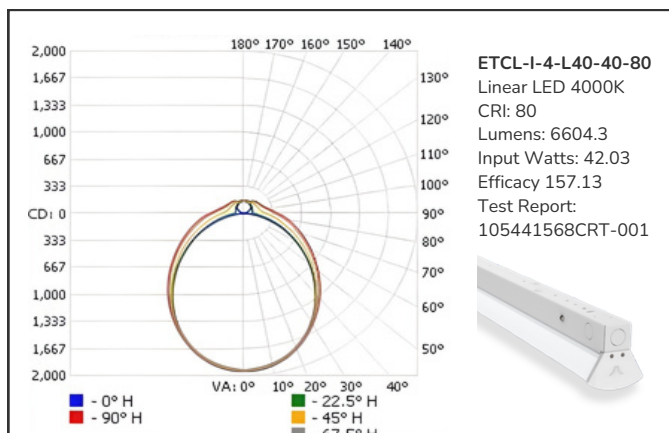
\*Additional costs may apply

Specifications are subject to change without notice. While every effort has been made to ensure the accuracy of the information provided, LANTANA LED assumes no responsibility for the use or interpretation of this information beyond its intended purpose. Actual product performance may vary depending on usage and environmental conditions. Please consult with a LANTANA LED representative for the most up-to-date information.

# EDGE TRI-CURVE LINEAR - INTEGRAL

## PERFORMANCE

IES file Kelvin	4000K
IES file CCT	80CRI
Efficacy	157.13



ZONE (°)	LUMENS	LUMINAIRE
0-90	5,554.22	84.1%
90-180	1050.08	15.9%

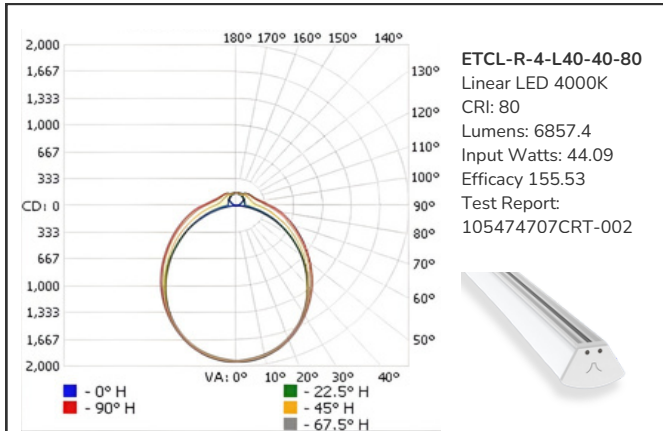
CCT (Kelvin)	Multiplier 80 CRI	Efficacy Lm/W	Multiplier 90 CRI	Efficacy Lm/W
2700K	0.91	142.99	0.76	119.42
3000K	0.95	149.28	0.80	125.71
3500K	0.97	152.42	0.82	128.85
4000K	1.00	157.13	0.85	133.56
5000K	1.00	157.13	0.85	133.56
5700K	1.00	157.13	0.85	133.56
6500K	0.99	155.56	0.85	133.56

Size	SKU	Nominal	Watts	Delivered
4'	L25-	2500	15	2357
	L30-	3000	19	2985
	L35-	3500	22	3457
	L40-	4000	25	3928
	L45-	4500	28	4400
	L50-	5000	31	4871
	L55-	5500	35	5500
4' HO	L60-	6000	38	5971
	L65-	6500	41	6442
	L70-	7000	44	6914
	L75-	7500	47	7385
	L80-	8000	50	7857
	L85-	8500	54	8485
	L90-	9000	57	8956
8'	L95-	9500	60	9428
	L65-	6500	41	6442
	L70-	7000	44	6914
	L75-	7500	47	7385
	L80-	8000	50	7857
	L85-	8500	54	8485
	L90-	9000	57	8956
	L95-	9500	60	9428
	L100-	10000	63	9899
	L105-	10500	66	10371
	L110-	11000	70	10999
8'HO	L115-	11500	73	11470
	L120-	12000	76	11942
	L125-	12500	80	12442
	L130-	13000	83	12909
	L135-	13500	86	13376
	L140-	14000	90	13998

# EDGE TRI-CURVE LINEAR - REMOTE

## PERFORMANCE

IES file Kelvin	4000K
IES file CCT	80CRI
Efficacy	155.53



ZONE (°)	LUMENS	LUMINAIRE
0-90	5,767.07	84.1%
90-180	1,090.33	15.9%

CCT (Kelvin)	Multiplier 80 CRI	Efficacy Lm/W	Multiplier 90 CRI	Efficacy Lm/W
2700K	0.91	141.54	0.76	118.21
3000K	0.95	147.76	0.80	124.43
3500K	0.97	150.87	0.82	127.54
4000K	1.00	155.53	0.85	132.20
5000K	1.00	155.53	0.85	132.20
5700K	1.00	155.53	0.85	132.20
6500K	0.99	153.98	0.85	132.20

Size	SKU	Nominal	Watts	Delivered
4'	L25-	2500	16	2488
	L30-	3000	19	2955
	L35-	3500	22	3422
	L40-	4000	25	3888
	L45-	4500	28	4355
	L50-	5000	32	4977
	L55-	5500	35	5444
4' HO	L60-	6000	38	5910
	L65-	6500	41	6377
	L70-	7000	45	6999
	L75-	7500	48	7465
	L80-	8000	51	7932
	L85-	8500	55	8399
8'	L90-	9000	58	8865
	L95-	9500	60	9404
	L65-	6500	41	6377
	L70-	7000	45	6999
	L75-	7500	48	7465
	L80-	8000	51	7932
	L85-	8500	54	8399
	L90-	9000	57	8865
	L95-	9500	61	9487
	L100-	10000	64	9954
8' HO	L105-	10500	67	10421
	L110-	11000	70	10887
	L115-	11500	73	11354
	L120-	12000	77	11976
	L125-	12500	79	12413
	L130-	13000	82	12885
	L135-	13500	85	13356
L140-	14000	89	13985	

# EDGE LINEAR

## MOUNTING

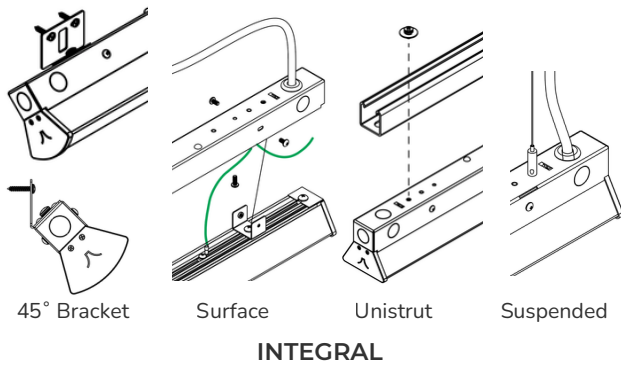
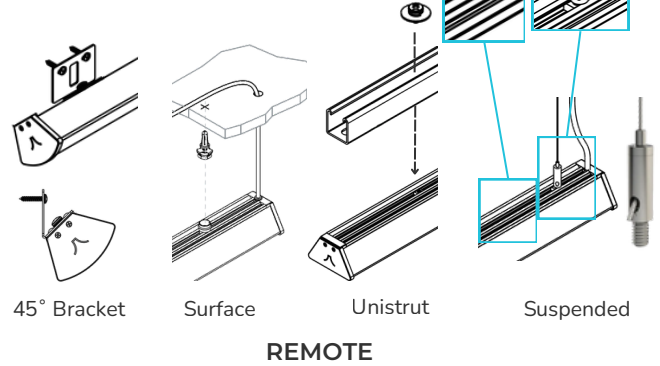
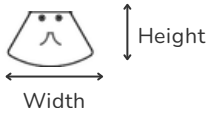


Fig 1. Sliding channel nut(s) allows easier adjustment and alignment.  
 Fig 2. Sliding nut with adjustable grippers for easy leveling.



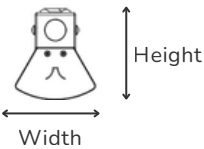
## DIMENSIONS

REMOTE



FIXTURE SIZE	LENGTH		WIDTH		HEIGHT		WEIGHT	
	IN	MM	IN	MM	IN	MM	LBS	KG
4 ft.	47.1	1196	3.2	81	2.2	56	6	2.72
8 ft.	93.2	2367	3.2	81	2.2	56	12	5.45
4 ft. W/SENSOR END CAP	50.4	1280	3.8	97	2.8	71	6.2	2.81
8 ft. W/SENSOR END CAP	96.5	2451	3.8	97	2.8	71	12.2	5.54

INTEGRAL



4 ft.	47.1	1196	3.2	81	3.1	79	7	3.18
8 ft.	93.2	2367	3.2	81	3.1	79	13	5.9
4 ft. W/SENSOR END CAP	50.4	1280	3.8	97	4.1	104	7.2	3.27
8 ft. W/SENSOR END CAP	96.5	2451	3.8	97	4.1	104	13.2	5.99

