

# LANTANA LED

## EDGE TRI-FLAT AISLE LINEAR

### SPECIFICATION



Purpose-built for aisle and shelving applications, this fixture delivers focused, floor-reaching illumination to maximize visibility and safety in retail, warehouse, and storage environments.



**Efficacy Up to:** 153.94 Lm/W

**Total Output:** 13,854

**Max Watt:** 90

**CRI:** 80, 90

**CCT:** 2700K-6500K

**UGR:** 23 4H/8H

**Lifetime:** TM 21 L90>71,000

#### Power Type:

- Class 2 Integral Line-Voltage 120/277V
- Onboard Emergency Battery Backup
- Remote Distributed Low Voltage
- Power over Ethernet

#### Ambient Operating Temp:

- -20°C to 55°C Integral
- 0°C to 50°C Integral Emergency
- -30°C to 70°C Remote/PoE

#### Mounting:

- Pendant
- Surface
- Rigid Stem (Unpowered)
- Unistrut (w/wo clip & bracket)
- Custom Angle Bracket

**Warranty:** 5-Year, extendable to 10 years w/wo driver replacement

#### Additional Features

- High Output Driver
- Replaceable Driver
- 0-10V Dimming Down to 1%
- 17.4% / 82.6% Single Channel
- Withstands High Heat Environments
- Floor-reaching Illumination
- Optional Sensors
- Available in White or Black

#### Certifications

- UL 924: Emergency
- UL 1598: Luminaires
- UL 2108: Low-Voltage
- UL Certified for Elevated Ambient Operating Temperatures
- IDCA Certified Grade 2
- TAA

#### Applications

- Education
- Commercial Office
- Hospitality
- Retail
- Data Centers
- Hot Aisle Containment
- Suitable for Damp Locations

#### Environmental:

- 100% Recycled Extruded Aluminum
- Recyclable Acrylic
- Title 24 Compliant
- EPD Smart Certified
- End of Life Recycling Available

# EDGE TRI-FLAT AISLE LINEAR

## ORDERING INFORMATION

Series/Type	Power	Size	Mounting
<b>ETFA-</b> Edge Tri-Flat Aisle Linear	<b>I-</b> Integral <b>IEM-</b> Integral EM <b>R-</b> Remote <b>POE-</b> PoE	<b>4-</b> Four Foot <b>8-</b> Eight Foot	<b>P-</b> Pendant <b>RS-</b> Rigid Stem* (unpowered) <b>U-</b> Unistrut <b>UC-</b> Unistrut Clip* <b>UCB-</b> Unistrut Clip and Bracket* <b>S-</b> Surface <b>#B-</b> Custom Angle Bracket*
	Integral Emergency includes onboard emergency battery backup. Remote requires a distributed low-voltage driver unit (RDU) or an alternative DC power source. Sold separately.		Enter angle for custom angle bracket

Optics	Distribution	Lumen Output
- NA	- NA	<b>L#-</b> L40-70      4' Std L75-L90      4' HO L65-L120      8' Std L125-L140      8' HO
		Consult Performance for Lumen Tables with corresponding wattage, and nominal and delivered lumens for SKU.

Adaptive	CCT	CRI	Cord	Cord Color
- NA	<b>27-</b> 2700K <b>30-</b> 3000K <b>35-</b> 3500K <b>40-</b> 4000K <b>50-</b> 5000K <b>65-</b> 6500K	<b>80-</b> 80+ CRI <b>90-</b> 90+ CRI	<b>N-</b> None <b>3-</b> No Dim <b>5-</b> Dim <b>3E-</b> No Dim/EM On <b>4E-</b> No Dim-EM On/Off <b>5E-</b> Dim EM On <b>6E-</b> Dim EM On/Off	<b>N-</b> None <b>W-</b> White <b>B-</b> Black <b>S-</b> Silver Braided

Feed	Finish	End Cap	Sensors*
<b>N-</b> None <b>TFC-</b> Top Center <b>TFE-</b> Top End <b>SF-</b> Side	<b>WPC-</b> White Powder Coat <b>BPC-</b> Black Powder Coat*	<b>WP-</b> White Plastic <b>BP-</b> Black Plastic*	<b>JD-</b> JDRF Autonomy Sensor <b>LU-</b> Lutron Athena Wireless Node <b>WT-</b> Wattstopper FSP-202 <b>LD-</b> LANTANA Dip Switch <b>NL-</b> nLight PIR Sensors <b>CU-</b> Current NXSMP <b>LM-</b> LANTANA Microwave

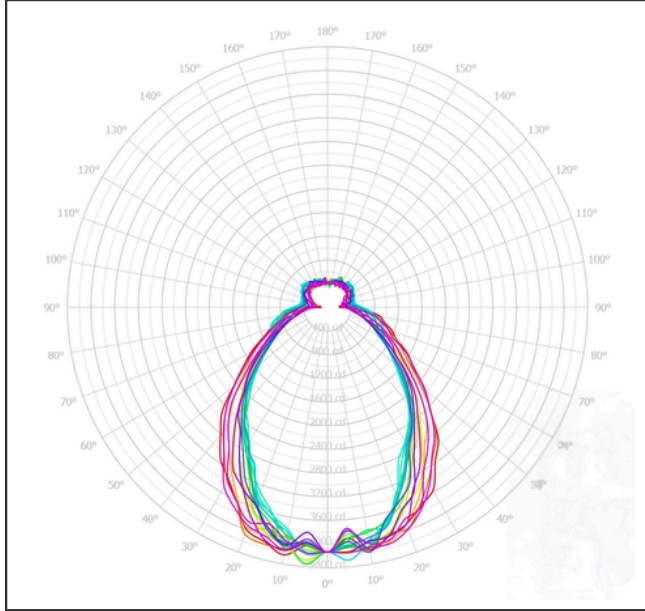
Project: \_\_\_\_\_ Date: \_\_\_\_\_  
 Part Number: \_\_\_\_\_ Qty: \_\_\_\_\_  
 Notes: \_\_\_\_\_

\*Additional costs may apply

# EDGE TRI-FLAT AISLE LINEAR

## PERFORMANCE

IES file Kelvin	4000K
IES file CCT	80CRI
Efficacy	153.94 Lm/W



CCT (Kelvin)	Multiplier 80 CRI	Efficacy Lm/W	Multiplier 90 CRI	Efficacy Lm/W
2700K	0.91	140.08	0.76	116.99
3000K	0.95	146.24	0.80	123.15
3500K	0.97	149.32	0.82	126.23
4000K	1.00	153.94	0.85	130.84
5000K	1.00	153.94	0.85	130.84
5700K	1.00	153.94	0.85	130.84
6500K	0.99	152.40	0.85	130.84

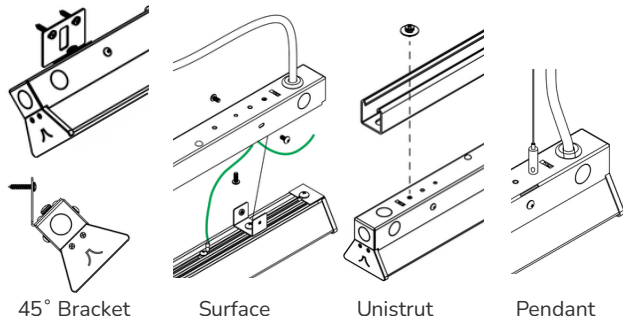
Size	SKU	Nominal	Watts	Delivered
4'	L40-	4000	25	3849
	L45-	4500	29	4464
	L50-	5000	32	4926
	L55-	5500	35	5388
	L60-	6000	38	5850
	L65-	6500	42	6465
	L70-	7000	45	6927
4' HO	L75-	7500	48	7389
	L80-	8000	51	7851
	L85-	8500	55	8467
	L90-	9000	58	8929
8'	L65-	6500	42	6465
	L70-	7000	45	6927
	L75-	7500	48	7389
	L80-	8000	51	7851
	L85-	8500	55	8467
	L90-	9000	58	8929
	L95-	9500	61	9390
	L100-	10000	64	9852
	L105-	10500	68	10468
	L110-	11000	71	10930
8' HO	L115-	11500	74	11392
	L120-	12000	77	11853
	L125-	12500	81	12469
	L130-	13000	84	12931
8' HO	L135-	13500	87	13393
	L140-	14000	90	13854

# EDGE TRI-FLAT AISLE LINEAR

## DIMENSIONS AND MOUNTING

Edge Tri-Flat Aisle and Edge Tri-Curve Linears Shown

### Integral



### Remote

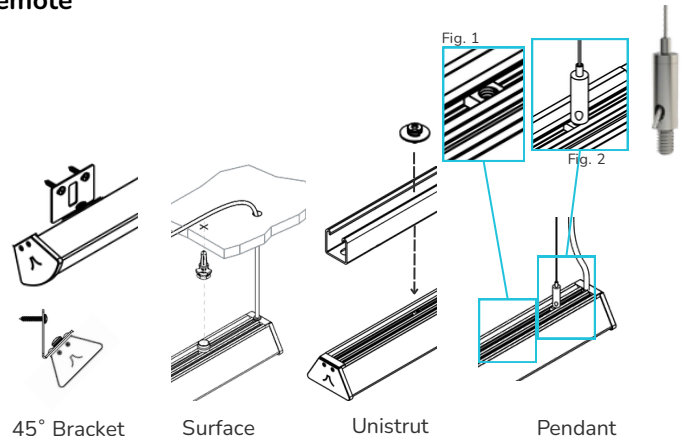
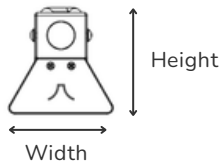


Fig 1. Sliding channel nut(s) allows easier adjustment and alignment.  
Fig 2. Sliding nut with adjustable grippers for easy leveling.

### Integral

FIXTURE SIZE	LENGTH		WIDTH		HEIGHT		WEIGHT	
	IN	MM	IN	MM	IN	MM	LBS	KG
4 ft.	47.1	1196	3.2	81	3.1	79	7	3.18
8 ft.	93.2	2367	3.2	81	3.1	79	13	5.9
4 ft. w/sensor endcap	50.4	1280	3.8	97	4.1	104	7.2	3.27
8 ft. w/sensor endcap	96.5	2451	3.8	97	4.1	104	13.2	5.99



### Remote

FIXTURE SIZE	LENGTH		WIDTH		HEIGHT		WEIGHT	
	IN	MM	IN	MM	IN	MM	LBS	KG
4 ft.	47.1	1196	3.2	81	1.8	46	6	2.72
8 ft.	93.2	2367	3.2	81	1.8	46	12	5.45
4 ft. w/sensor endcap	50.4	1280	3.8	97	2.8	71	6.2	2.81
8 ft. w/sensor endcap	96.5	2451	3.8	97	2.8	71	12.2	5.54

