

LANTANA LED

EDGE TRI-FLAT LINEAR

SPECIFICATION



A modern, flat-profile linear fixture delivering continuous, uniform illumination for aisles, open spaces, and architectural features.



Efficacy Up to: 156.74 Lm/W

Total Output: 14,106

Max Watt: 90

CRI: 80, 90

CCT: 2700K-6500K

UGR: 23 4H/8H

Warranty: 5-Year

Lifetime: TM 21 L90>71,000

Power Type:

- Class 2 Integral Line-Voltage 120/277V
- Onboard Emergency Battery Backup
- Remote Distributed Low Voltage
- Power over Ethernet

Ambient Operating Temp:

- -30°C to 70°C Remote/PoE
- -20°C to 55°C Integral
- 0°C to 4' 45°C, 8' 50°C Integral Emergency

Mounting:

- Suspended
- Unistrut
- Surface
- 45° Bracket

Warranty: 5-Year, upgradeable to 10-year w/wo drivers

Additional Features

- High Output Driver
- Replaceable Driver
- 0-10V Dimming Down to 1%
- 17.4% / 82.6% Single Channel
- Available in White or Black
- UL Certified for Elevated Ambient Operating Temperatures

Certifications

- UL 924: Emergency
- UL 1598: Luminaires
- UL 2108: Low-Voltage
- UL Certified for Elevated Ambient Operating Temperatures
- Declare
- TAA
- IDCA Certified G2 Applicable

Applications

- Education
- Commercial Office
- Hospitality
- Retail
- Data Centers
- Hot Aisle Containment
- Suitable for Damp Locations

Environmental:

- 100% Recycled Extruded Aluminum
- Recyclable Acrylic
- Title 24 Compliant
- Declare

EDGE TRI-FLAT LINEAR

ORDERING INFORMATION

Series/Type	Power	Size	Mounting
ETFL- Edge Tri-Flat Linear	I- Integral IEM- Integral EM R- Remote POE- PoE	4- Four Foot 8- Eight Foot	P- Pendant U- Unistrut UC- Unistrut Clip* UCB- Unistrut Clip and Bracket* S- Surface #B- Custom Angle Bracket*

Enter angle for custom angle bracket

Optics	Distribution	Lumen Output
- NA	- NA	L#- L25-70 4' Std L75-L90 4' HO L65-L125 8' Std L130-L145 8' HO

See Lumen Tables for corresponding SKUs

Adaptive	CCT	CRI	Cord	Cord Color
- NA	27- 2700K 30- 3000K 35- 3500K 40- 4000K 50- 5000K 65- 6500K	80- 80+ CRI 90- 90+ CRI	N- None 3- No Dim 5- Dim 3E- No Dim/EM On 4E- No Dim-EM On/Off 5E- Dim EM On 6E- Dim EM On/Off	N- None W- White B- Black S- Silver Braided

Feed	Finish	End Cap	Sensors*
N- None TFC- Top Center TFE- Top End SF- Side	WPC- White Powder Coat BPC- Black Powder Coat	WP- White Plastic BP- Black Plastic	JD- JDRF Autonomy Sensor LU- Lutron Athena Wireless Node WT- Wattstopper FSP-202 LD- LANTANA Dip Switch NL- nLight PIR Sensors CU- Current NXSMF LM- LANTANA Microwave

Project: _____ Date: _____

Part Number: _____ Qty: _____

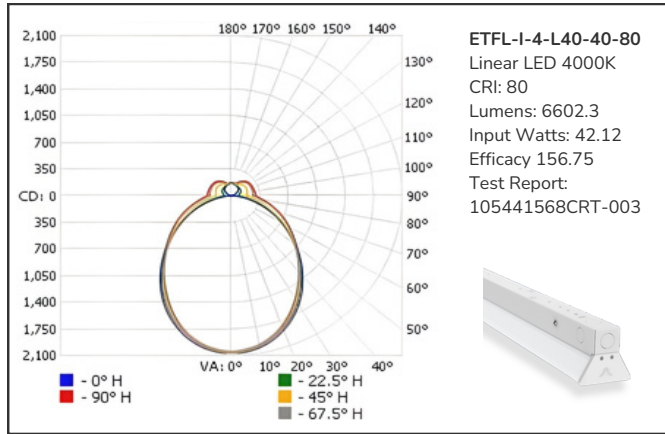
Notes: _____

*Additional costs may apply

EDGE TRI-FLAT LINEAR - INTEGRAL

PERFORMANCE

IES file Kelvin	4000K
IES file CCT	80CRI
Efficacy	154.37 Lm/W



ZONE (°)	LUMENS	LUMINAIRE
0-90	5,453.50	82.6%
90-180	1148.80	17.4%

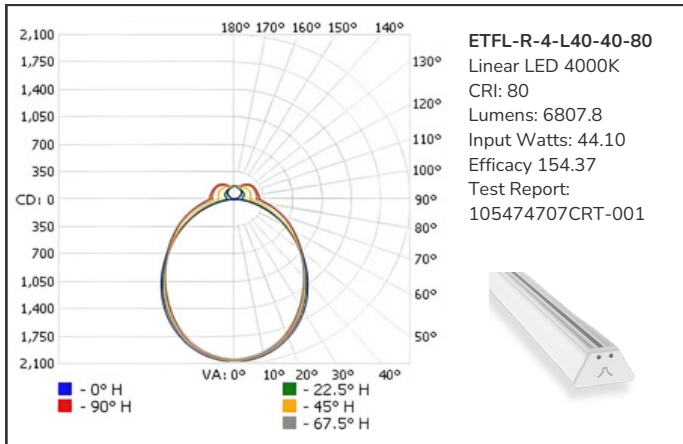
CCT (Kelvin)	Multiplier 80 CRI	Efficacy Lm/W	Multiplier 90 CRI	Efficacy Lm/W
2700K	0.91	142.63	0.76	119.12
3000K	0.95	148.90	0.80	125.39
3500K	0.97	152.04	0.82	128.53
4000K	1.00	156.74	0.85	133.23
5000K	1.00	156.74	0.85	133.23
5700K	1.00	156.74	0.85	133.23
6500K	0.99	155.17	0.85	133.23

Size	SKU	Nominal	Watts	Delivered
4'	L25-	2500	15	2351
	L30-	3000	19	2978
	L35-	3500	22	3448
	L40-	4000	25	3919
	L45-	4500	28	4389
	L50-	5000	31	4859
	L55-	5500	35	5486
	L60-	6000	38	5956
	L65-	6500	41	6425
4'HO	L70-	7000	44	6897
	L75-	7500	47	7367
	L80-	8000	51	7994
	L85-	8500	54	8464
	L90-	9000	57	8934
8'	L95-	9500	60	9404
	L65-	6500	40	6270
	L70-	7000	44	6897
	L75-	7500	47	7367
	L80-	8000	51	7994
	L85-	8500	54	8464
	L90-	9000	57	8934
	L95-	9500	60	9404
	L100-	10000	63	9875
	L105-	10500	66	10345
	L110-	11000	70	10972
	L115-	11500	73	11442
8'HO	L120-	12000	76	11912
	L125-	12500	80	12539
	L130-	13000	82	12853
8'HO	L135-	13500	86	13480
	L140-	14000	89	13950

EDGE TRI-FLAT LINEAR - REMOTE

PERFORMANCE

IES file Kelvin	4000K
IES file CCT	80CRI
Efficacy	154.37 Lm/W



ZONE (°)	LUMENS	LUMINAIRE
0-90	5,623.24	82.6%
90-180	1,184.56	17.4%

CCT (Kelvin)	Multiplier 80 CRI	Efficacy Lm/W	Multiplier 90 CRI	Efficacy Lm/W
2700K	0.91	140.48	0.76	117.32
3000K	0.95	146.65	0.80	123.50
3500K	0.97	149.74	0.82	126.58
4000K	1.00	154.37	0.85	131.21
5000K	1.00	154.37	0.85	131.21
5700K	1.00	154.37	0.85	131.21
6500K	0.99	152.83	0.85	131.21

Size	SKU	Nominal	Watts	Delivered
4'	L25-	2500	16	2470
	L30-	3000	19	2933
	L35-	3500	22	3396
	L40-	4000	25	3859
	L45-	4500	29	4477
	L50-	5000	32	4940
	L55-	5500	35	5403
	L60-	6000	38	5866
	L65-	6500	42	6484
	L70-	7000	45	6947
4'HO	L75-	7500	48	7410
	L80-	8000	51	7873
	L85-	8500	55	8490
	L90-	9000	58	8953
8'	L65-	6500	42	6484
	L70-	7000	45	6947
	L75-	7500	48	7410
	L80-	8000	51	7873
	L85-	8500	55	8490
	L90-	9000	58	8953
	L95-	9500	61	9417
	L100-	10000	64	9880
	L105-	10500	68	10497
	L110-	11000	71	10960
8'HO	L115-	11500	74	11423
	L120-	12000	77	11886
	L125-	12500	80	12350
8'HO	L130-	13000	84	12967
	L135-	13500	87	13430
	L140-	14000	90	13893

EDGE LINEAR

MOUNTING

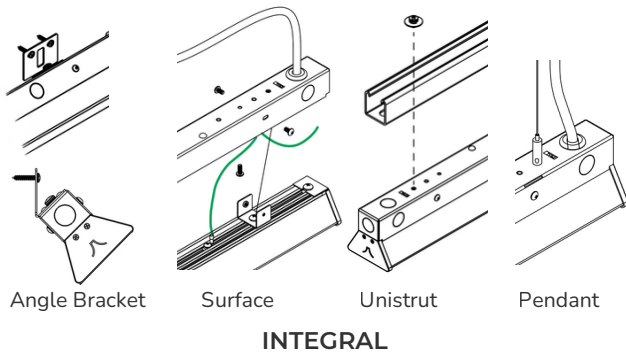
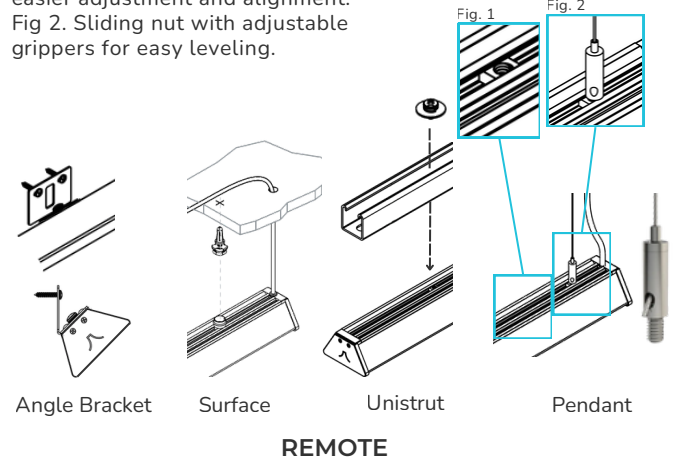
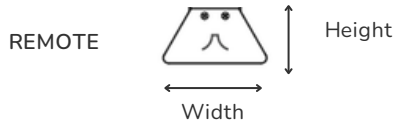


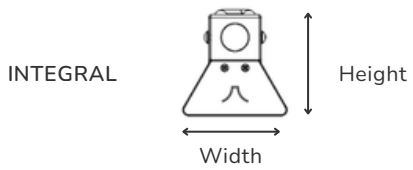
Fig 1. Sliding channel nut(s) allows easier adjustment and alignment.
 Fig 2. Sliding nut with adjustable grippers for easy leveling.



DIMENSIONS



FIXTURE SIZE	LENGTH		WIDTH		HEIGHT		WEIGHT	
	IN	MM	IN	MM	IN	MM	LBS	KG
4 ft.	47.1	1196	3.2	81	1.8	46	6	2.72
8 ft.	93.2	2367	3.2	81	1.8	46	12	5.45
4 ft. W/SENSOR END CAP	50.4	1280	3.8	97	2.8	71	6.2	2.81
8 ft. W/SENSOR END CAP	96.5	2451	3.8	97	2.8	71	12.2	5.54



4 ft.	47.1	1196	3.2	81	3.1	79	7	3.18
8 ft.	93.2	2367	3.2	81	3.1	79	13	5.9
4 ft. W/SENSOR END CAP	50.4	1280	3.8	97	4.1	104	7.2	3.27
8 ft. W/SENSOR END CAP	96.5	2451	3.8	97	4.1	104	13.2	5.99

