

# LANTANA LED

## NEOTERIC BOX LINEAR

### SPECIFICATION



Available in interior or exterior options, continuous run, and multiple configurations, the Neoteric Box Linear is the ultimate in versatility.



**Efficacy Up to:** 128.87 Lm/W

**Total Output:** 11,598

**Max Watt:** 89

**CRI:** 80, 90

**CCT:** 2700K-5000K

**UGR:** 21.6 4H/8H

**Lifetime:** TM 21 L90>60,000

**Power Type:**

- Class 2 Integral Line-Voltage 120/277V
- Remote Distributed Low Voltage

**Ambient Operating Temp:**

- -20°C to 50°C
- 0°C to 50°C Emergency Interior
- -20°C to 50°C Emergency Exterior

**Mounting:**

- Pendant
- Wall Mount
- Surface Mount

**Warranty:** 5-Year

**Additional Features**

- Interior and exterior compatibility for consistent aesthetics.
- Direct and indirect lighting distribution.
- Continuous run capability for seamless design.
- Multiple electrical options, including generator transfer and nightlight.
- Sustainable materials and recyclable components.
- Customizable patterns for functional and aesthetic appeal.
- Durable construction with IP65/IP66 rating. (Exterior Only)

**Certifications & Standards**

- UL 1598: Luminaires
- UL 924 Emergency
- UL 2108: Low-Voltage
- ETL
- TAA
- IP66 (Exterior Only)

**Applications**

- Education
- Commercial Office
- Hospitality
- Retail
- Interior and Exterior Environments

**Environmental:**

- 100% Recycled Extruded Aluminum
- Recyclable Acrylic
- Title 24 Compliant
- End-of-Life Recycling Available

# NEOTERIC BOX LINEAR

## ORDERING INFORMATION

Series/Type	Power	Size	Mounting
NBLN- Neoteric Box Linear	<b>I-</b> Integral <b>IEM-</b> Intergral Emergency <b>R-</b> Remote	<b>2-</b> Two Ft <b>3-</b> Three Ft <b>4-</b> Four Ft <b>5-</b> Five Ft <b>6-</b> Six Ft <b>8-</b> Eight Ft <b>##-</b> Run in Ft <b>PAT-</b> Custom Pattern	<b>ACE-</b> 10' ACY Suspension White Canopy <b>ACB-</b> 10' ACY Suspension Black Canopy <b>TB-</b> Tbar Adapter <b>WM-</b> Wall Mount <b>R-</b> Recessed
	Integral Emergency includes onboard emergency battery backup. Remote requires a distributed low-voltage driver unit (RDU) or an alternative DC power source. Sold separately.		

Distribution	Optics	Lumen Output
<b>D-</b> Direct Only <b>I-</b> Indirect Only <b>DI-</b> Direct/Indirect	<b>LAM-</b> Lambertian <b>ASY-</b> Asymmetric <b>LAM-LAM-</b> Lambertian D, Lambertian I <b>ASY-LAM-</b> Asymmetric D, Lambertian I <b>ASY-ASY-</b> Asymmetric D, Asymmetric I <b>LAM-ASY-</b> Lambertian D, Asymmetric I	<b>L#-</b> L15-L100 2'-8' Std. LAM L105-L115 8' HO LAM L15-L95 2'-8' Std. ASY L105-L110 8' HO ASY
		See Lumen Tables for corresponding SKUs

Adaptive	CCT	CRI	Driver	Cord Color
- N/A	<b>27-</b> 2700K <b>30-</b> 3000K <b>35-</b> 3500K <b>40-</b> 4000K <b>50-</b> 5000K	<b>80-</b> 80+ CRI <b>90-</b> 90+ CRI	<b>G1-</b> 0-10V 1% Dimoff <b>G2-</b> 0-10V 0.1% Dimoff	<b>B-</b> Black <b>W-</b> White <b>S-</b> Silver Braided

Feed	Finish	Accessories*	Sensors*
- NA	<b>WH-</b> White Powder Coat <b>BL-</b> Black Powder Coat <b>CU-</b> Custom Color  Specify RAL#. Custom colors may incur additional charges. Find options at <a href="http://www.Tiger-Coatings.com">www.Tiger-Coatings.com</a> Metallics & Special Effects Vol. 2	<b>BFC-</b> Black 5-Wire 18/5 Feed Cord (10' Std) <b>WFC-</b> White 5-Wire 18/5 Feed Cord (10' Std) <b>1C-</b> Single Circuit <b>2C-</b> 2 Circuit <b>EB-</b> 10W 90 Min Emergency 4' Section <b>EC-</b> Emergency Circuit <b>NL-</b> Nightlight Section <b>GTD-</b> Generator Transfer	<b>CAS-</b> Casambi Wireless <b>SC-</b> Bluetooth Programmable Multifunction Mesh Network PIR Smart Control & Daylight

Project: \_\_\_\_\_ Date: \_\_\_\_\_

Part Number: \_\_\_\_\_ Qty: \_\_\_\_\_

Notes: \_\_\_\_\_

\*Additional costs may apply

# NEOTERIC EXTERIOR BOX LINEAR

## ORDERING INFORMATION

<input type="text"/>	<input type="text"/>	<input type="text"/>	<input type="text"/>
<b>Series/Type</b>	<b>Power</b>	<b>Size</b>	<b>Mounting</b>
<b>NEBL-</b> Neoteric Exterior Box Linear	<b>I-</b> Integral <b>IEM-</b> Integral Emergency	<b>3-</b> Three Ft <b>4-</b> Four Ft <b>6-</b> Six Ft <b>8-</b> Eight Ft	<b>WMO-</b> Wall Mount <b>CS-</b> Cable Suspended

<input type="text"/>	<input type="text"/>	<input type="text"/>								
<b>Optics</b>	<b>Distribution</b>	<b>Lumen Output</b>								
<b>LAM-</b> Lambertian	<b>D-</b> Direct Only	<table border="0"> <tr> <td><b>L#-</b> L15-L100</td> <td>2'-8' Std. LAM</td> </tr> <tr> <td>L105-L115</td> <td>8' HO LAM</td> </tr> <tr> <td>L15-L95</td> <td>2'-8' Std. ASY</td> </tr> <tr> <td>L105-L110</td> <td>8' HO ASY</td> </tr> </table>	<b>L#-</b> L15-L100	2'-8' Std. LAM	L105-L115	8' HO LAM	L15-L95	2'-8' Std. ASY	L105-L110	8' HO ASY
<b>L#-</b> L15-L100	2'-8' Std. LAM									
L105-L115	8' HO LAM									
L15-L95	2'-8' Std. ASY									
L105-L110	8' HO ASY									

See Lumen Tables for corresponding SKUs

<input type="text"/>	<input type="text"/>	<input type="text"/>	<input type="text"/>	<input type="text"/>
<b>Adaptive</b>	<b>CCT</b>	<b>CRI</b>	<b>Driver</b>	<b>Cord Color</b>
- N/A	<b>27-</b> 2700K <b>30-</b> 3000K <b>35-</b> 3500K <b>40-</b> 4000K <b>50-</b> 5000K	<b>80-</b> 80+ CRI <b>90-</b> 90+ CRI	<b>G1-</b> 0-10V 1% Dimoff	<b>B-</b> Black <b>W-</b> White <b>S-</b> Silver Braided

<input type="text"/>	<input type="text"/>	<input type="text"/>	<input type="text"/>
<b>Feed</b>	<b>Finish</b>	<b>Accessories*</b>	<b>Sensors*</b>
- NA	<b>WH-</b> White Matte <b>BK-</b> Black Matte <b>CU-</b> Custom Color*	-NA	- NA

Specify RAL#. Custom colors may incur additional charges. Find options at [www.Tiger-Coatings.com](http://www.Tiger-Coatings.com) Metallics & Special Effects Vol. 2

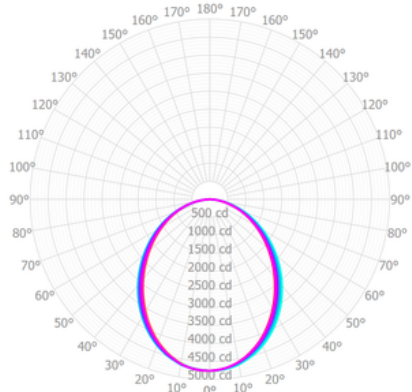
Project: \_\_\_\_\_ Date: \_\_\_\_\_  
 Part Number: \_\_\_\_\_ Qty: \_\_\_\_\_  
 Notes: \_\_\_\_\_

\*Additional costs may apply

# NEOTERIC BOX LINEAR

## PERFORMANCE -LAMBERTIAN

IES file Kelvin	4000K
IES file CCT	80CRI
Efficacy	128.87 Lm/W



Standard Output				
Size	SKU	Nominal	Watts	Delivered
2'	L15-	1500	11	1418
	L20-	2000	15	1933
	L25-	2500	19	2449
3'	L20-	2000	15	1933
	L25-	2500	19	2449
	L30-	3000	23	2964
	L35-	3500	27	3479
4'	L25-	2500	19	2449
	L30-	3000	23	2964
	L35-	3500	27	3479
	L40-	4000	31	3995
	L45-	4500	34	4382
	L50-	5000	38	4897
5'	L35-	3500	27	3479
	L40-	4000	31	3995
	L45-	4500	34	4382
	L50-	5000	38	4897
	L55-	5500	42	5413
	L60-	6000	46	5928
L65-	6500	50	6444	

Standard Output				
Size	SKU	Nominal	Watts	Delivered
6'	L40-	4000	31	3995
	L45-	4500	34	4382
	L50-	5000	38	4897
	L55-	5500	42	5413
	L60-	6000	46	5928
	L65-	6500	50	6444
	L70-	7000	54	6959
8'	L75-	7500	58	7474
	L55-	5500	42	5413
	L60-	6000	46	5928
	L65-	6500	50	6444
	L70-	7000	54	6959
	L75-	7500	58	7474
	L80-	8000	62	7990
	L85-	8500	65	8377
	L90-	9000	69	8892
	L95-	9500	73	9408
L100-	10000	77	9923	

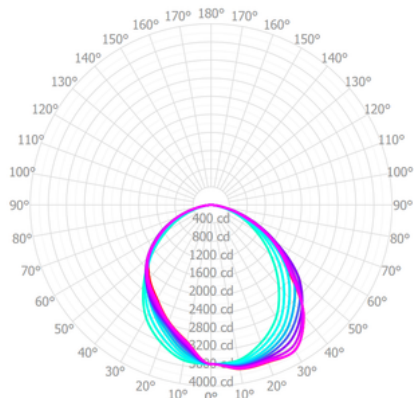
High Output				
Size	SKU	Nominal	Watts	Delivered
8'	L105-	10500	81	10438
	L110-	11000	85	10954
	L115-	11500	89	11469

CCT (Kelvin)	Multiplier 80 CRI	Efficacy Lm/W	Multiplier 90 CRI	Efficacy Lm/W
2700K	0.91	116.63	0.76	97.81
3000K	0.95	121.78	0.80	102.45
3500K	0.97	125.00	0.82	105.93
4000K	1.00	128.87	0.85	108.90
5000K	1.00	128.87	0.85	108.90
5700K	1.00	128.87	0.85	108.90

# NEOTERIC BOX LINEAR

## PERFORMANCE -ASYMMETRIC

IES file Kelvin	4000K
IES file CCT	80CRI
Efficacy	118.4 Lm/W



Standard Output				
Size	SKU	Nominal	Watts	Delivered
2'	L15-	1500	12	1421
	L20-	2000	16	1894
3'	L20-	2000	16	1894
	L25-	2500	21	2486
	L30-	3000	25	2960
	L35-	3500	29	3434
4'	L25-	2500	21	2486
	L30-	3000	25	2960
	L35-	3500	29	3434
	L40-	4000	33	3907
5'	L45-	4500	38	4499
	L50-	5000	42	4973
	L55-	5500	46	5446
	L60-	6000	50	5920

Standard Output				
Size	SKU	Nominal	Watts	Delivered
6'	L35-	3500	29	3434
	L40-	4000	33	3907
	L45-	4500	38	4499
	L50-	5000	42	4973
	L55-	5500	46	5446
	L60-	6000	50	5920
	L65-	6500	54	6394
8'	L70-	7000	59	6986
	L45-	4500	38	4499
	L50-	5000	42	4973
	L55-	5500	46	5446
	L60-	6000	50	5920
	L65-	6500	54	6394
	L70-	7000	59	6986
	L75-	7500	63	7459
	L80-	8000	67	7933
	L85-	8500	71	8406
L90-	9000	76	8998	
L95-	9500	80	9472	

CCT (Kelvin)	Multiplier 80 CRI	Efficacy Lm/W	Multiplier 90 CRI	Efficacy Lm/W
2700K	0.91	107.15	0.76	89.87
3000K	0.95	111.89	0.80	94.13
3500K	0.97	114.85	0.82	97.32
4000K	1.00	118.40	0.85	100.05
5000K	1.00	118.40	0.85	100.05
5700K	1.00	118.40	0.85	100.05

High Output				
Size	SKU	Nominal	Watts	Delivered
8'	L100-	10000	84	9946
	L105-	10500	88	10419

# NEOTERIC BOX LINEAR

## CONTINUOUS RUN CONFIGURATIONS

Run Lenth	Housing Configuration
9	5+4
10	6+4
11	7+4
12	8+4
13	8+5
14	8+6
15	8+7
16	8+8
17	8+5+4
18	8+6+4
19	8+7+4
20	8+8+4
21	8+8+
22	8+8+6
23	8+8+7
24	8+8+8
25	8+8+5+4
26	8+8+6+4

Run Lenth	Housing Configuration
27	8+8+7+4
28	8+8+8+4
29	8+8+8+5
30	8+8+8+6
31	8+8+8+7
32	8+8+8+8
33	8+8+8+5+4
34	8+8+8+6+4
35	8+8+8+7+4
36	8+8+8+8+4
37	8+8+8+8+5
38	8+8+8+8+6
39	8+8+8+8+7
40	8+8+8+8+8
41	8+8+8+8+5+4
42	8+8+8+8+6+4
43	8+8+8+8+7+4
44	8+8+8+8+8+4

Run Lenth	Housing Configuration
45	8+8+8+8+5
46	8+8+8+8+6
47	8+8+8+8+7
48	8+8+8+8+8
49	8+8+8+8+5+4
50	8+8+8+8+6+4
51	8+8+8+8+7+4
52	8+8+8+8+8+4
53	8+8+8+8+8+5
54	8+8+8+8+8+6
55	8+8+8+8+8+7
56	8+8+8+8+8+8
57	8+8+8+8+8+5+4
58	8+8+8+8+8+6+4
59	8+8+8+8+8+7+4
60	8+8+8+8+8+8+4
61	8+8+8+8+8+8+5
62	8+8+8+8+8+8+6

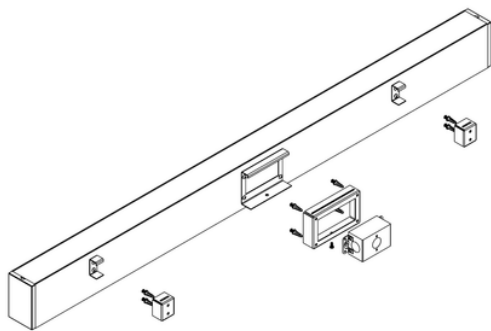
Section	Shape	Length in Ft	Circuit #	EM Bat	EM Cir	Control
1	S 90 X T					
2	S 90 X T					
3	S 90 X T					
4	S 90 X T					
5	S 90 X T					
6	S 90 X T					
7	S 90 X T					
8	S 90 X T					
9	S 90 X T					
10	S 90 X T					
11	S 90 X T					
12	S 90 X T					
13	S 90 X T					
14	S 90 X T					
15	S 90 X T					

\*Create one table per run or pattern.

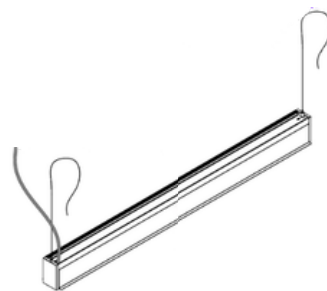
# NEOTERIC BOX LINEAR

## MOUNTING

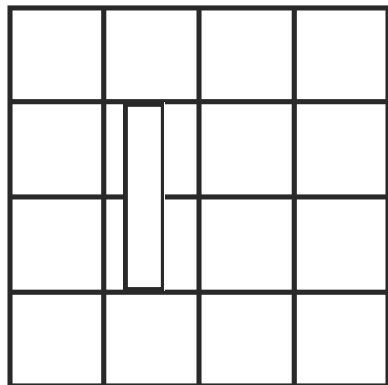
### Wall



### Suspension



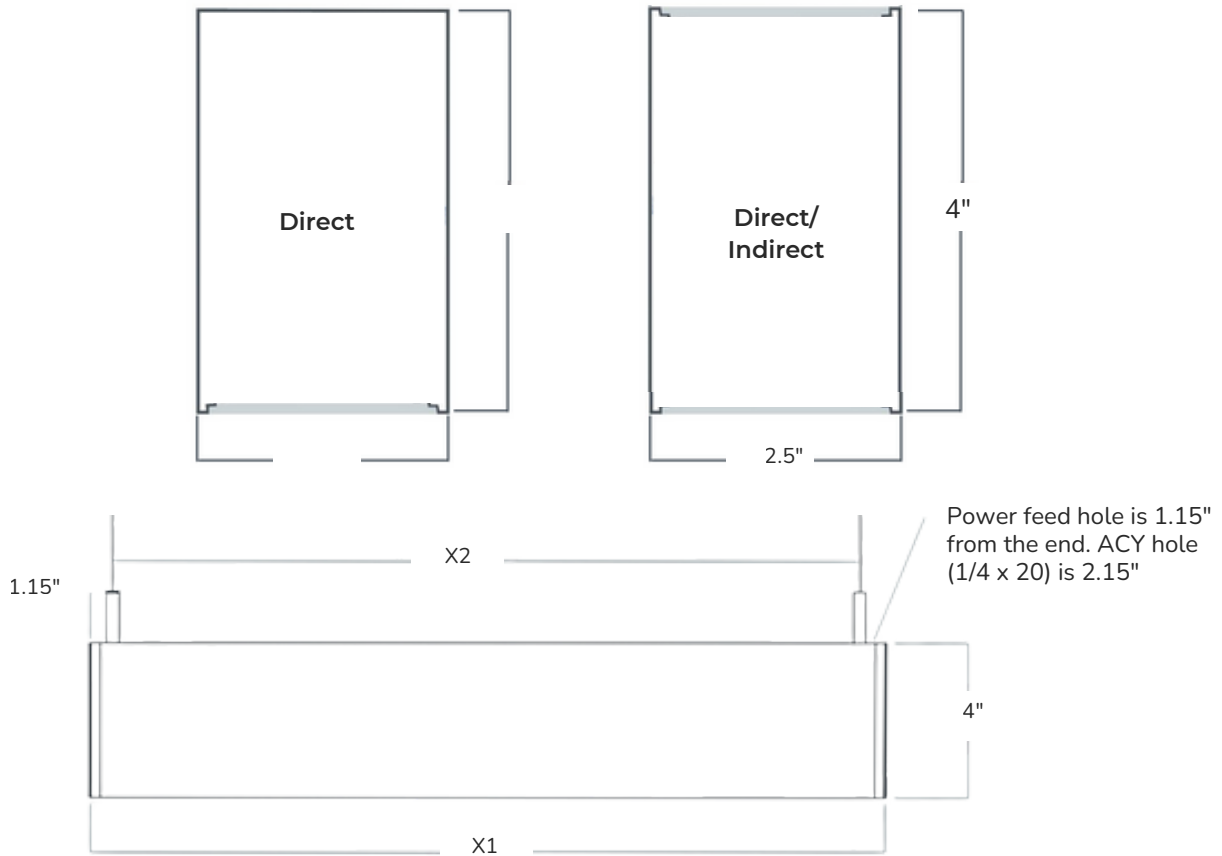
### Recessed



**T-Bar Available  
(but not shown)**

# NEOTERIC BOX LINEAR

## DIMENSIONS



Length	2'	3'	4'	6'	8'	Weight
X1	24.3"	36.3"	48.3"	72.3"	96.3"	2 ft - 6.48 lbs 4 ft - 10.68 lbs 6 ft - 17.04 lbs 8 ft - 22.03 lbs
X2	20"	32"	44"	68"	92"	

## CUSTOM PATTERNS

