

LANTANA LED

Neoteric Cylinder

SPECIFICATION



Available with lens or reflector optics, and multiple beam angles, this fixture delivers precise or broad illumination for offices, corridors, and public spaces.



Efficacy Up to: 126.33 Lm/W

Total Output: 5559

Max Watt: 50

CRI: 80, 90

CCT: 2700K-6500K

UGR: 16.4-22.4 4H/8H

Lifetime: TM 21 L70>66,000

Power Type:

- Class 2 Integral Line-Voltage 120/277V in Fixture
- Class 2 Integral Line-Voltage 120/277 in Canopy
- Remote Distributed Low Voltage

Ambient Operating Temp:

- -30°C to 40°C Remote
- -10°C to 40°C Integral

Mounting:

- Pendant
- Power Suspension
- Surface Mount

Warranty: 10-Year, upgradeable to include drivers

Additional Features

- 0-10V Dimming Down to 1%
- Multiple Beam Angles
- Power Suspension
- Custom Colors

Certifications & Standards

- UL 1598: Luminaires
- UL 2108: Low-Voltage
- TAA

Applications

- Education
- Commercial Office
- Hospitality
- Retail
- Suitable for Damp Locations

Environmental

- Title 24 Compliant
- 100% Recyclable aluminum
- Recyclable Acrylic
- End of Life Recycling Available

NEOTERIC CYLINDER

ORDERING INFORMATION

Series/Type	Power	Size	Mounting
NCYL- Neoteric Cylinder	IF- Integral Fixture IC- Integral Canopy RC- Remote Canopy	55- 5.5" Dia	P- Pendant PS- Power Suspension* S- Surface
Remote requires a distributed low-voltage driver unit (RDU) or an alternative DC power source. Sold separately.			

Optics	Distribution	Lumen Output
L- Lens R- Reflector	SM- Small 18° Lens 15° Ref MD- Medium 24° Lens 24° Ref WD- Wide 36° Lens 36° Ref XW- Extra Wide 60° Lens 55° Ref 2XW- 2X Wide 80° Lens 65° Ref WW- Wall Wash Lens Only	L#- L15-L60 Lens L15-55 Reflector See Lumen Tables for corresponding SKUs

2X and WW - Not available for Reflector
 WW available for Surface Mount Only

Adaptive	CCT	CRI	Cord	Cord Color
- N/A	27- 2700K 30- 3000K 35- 3500K 40- 4000K 50- 5000K 65- 6500K	80- 80+ CRI 90- 90+ CRI	3- No Dim 5- Dim	B- Black W- White S- Silver Braided

Feed	Finish	End Cap	Sensors
- N/A	BPC- Black Powder Coat WPC- White Powder Coat SMPC- Silver Metallic Powder Coat* BMPC- Brass Metallic Powder Coat* SACC- Sandblasted Alum Clear Coat* CU- Custom Finish*	- N/A	- N/A
Specify RAL#. Custom colors and finishes may incur additional charges. Find options at www.Tiger-Coatings.com Metallics & Special Effects Vol. 2			

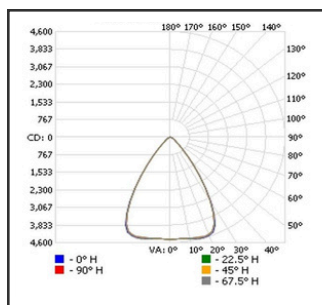
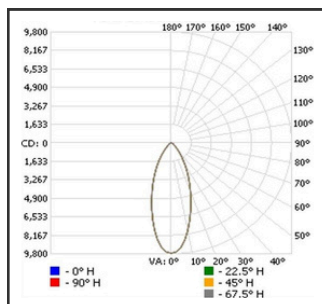
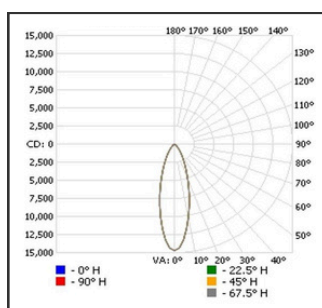
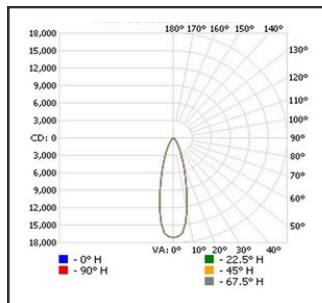
Project: _____ Date: _____
 Part Number: _____ Qty: _____
 Notes: _____

*Additional costs may apply

NEOTERIC CYLINDER

PERFORMANCE - LENS

Delivered Lumens at 4000K 80 CRI



Beam Angle	SKU	Nominal	Watts	Delivered
SM 15° Small 122.3 Lm/W	L15-	1500	12	1469
	L20-	2000	16	1958
	L25-	2500	20	2448
	L30-	3000	24	2937
	L35-	3500	28	3427
	L40-	4000	32	3916
	L45-	4500	36	4406
	L50-	5000	40	4895
	L55-	5500	44	5385
	L60-	6000	49	5997
MD 24° Medium 121.19 Lm/W	L15-	1500	12	1454
	L20-	2000	16	1939
	L25-	2500	20	2424
	L30-	3000	24	2909
	L35-	3500	28	3393
	L40-	4000	33	3999
	L45-	4500	37	4484
	L50-	5000	41	4969
	L55-	5500	45	5454
	L60-	6000	49	5938
WD 36° Wide 116.77 Lm/W	L15-	1500	12	1401
	L20-	2000	17	1985
	L25-	2500	21	2452
	L30-	3000	25	2919
	L35-	3500	29	3386
	L40-	4000	34	3970
	L45-	4500	38	4437
	L50-	5000	42	4904
	L55-	5500	47	5488
	L60-	6000	50	5839
XW 55° Extra Wide 112.69 Lm/W	L15-	1500	13	1465
	L20-	2000	17	1916
	L25-	2500	22	2479
	L30-	3000	26	2930
	L35-	3500	31	3493
	L40-	4000	35	3944
	L45-	4500	39	4395
	L50-	5000	44	4958
	L55-	5500	48	5409

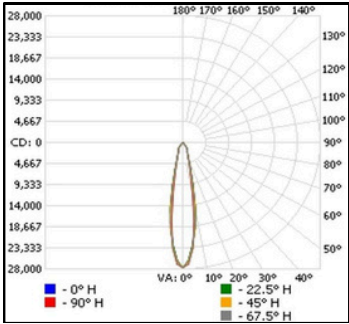
Beam Angle	SKU	Nominal	Watts	Delivered
2XW 65° Double Extra Wide 109.76 Lm/W	L15-	1500	13	1427
	L20-	2000	18	1976
	L25-	2500	22	2415
	L30-	3000	27	2964
	L35-	3500	31	3403
	L40-	4000	36	3951
	L45-	4500	40	4390
	L50-	5000	45	4939
	L55-	5500	50	5488
	WW Wall Wash 90.37 Lm/W	L15-	1500	16
L20-		2000	22	1988
L25-		2500	27	2440
L30-		3000	33	2982
L35-		3500	38	3434
L40-		4000	44	3976
L45-		4500	49	4428

Multiplier		
CCT	80 CRI	90 CRI
2700K	0.905	0.759
3000K	0.945	0.795
3500K	0.970	0.822
4000K	1.000	0.845
5000K	1.000	0.845
5700K	1.000	0.845
6500K	0.987	0.845

NEOTERIC CYLINDER

PERFORMANCE - REFLECTOR

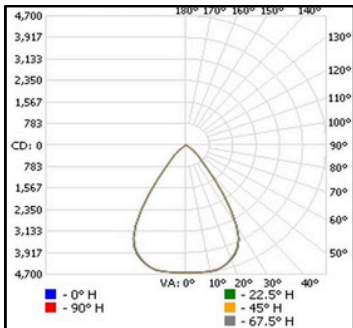
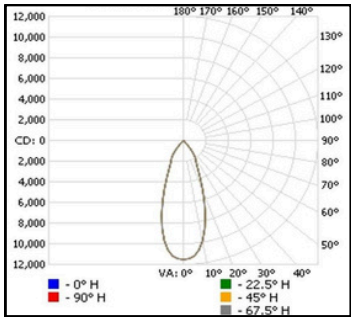
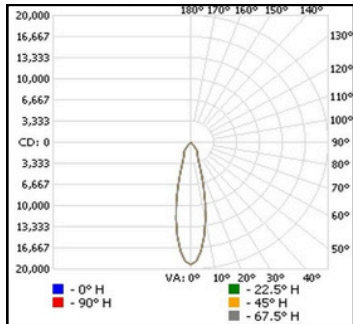
Delivered Lumens at 4000K 80 CRI



Beam Angle	SKU	Nominal	Watts	Delivered
S 15° Small 123.56 Lm/W	L15-	1500	12	1483
	L20-	2000	16	1977
	L25-	2500	20	2471
	L30-	3000	24	2965
	L35-	3500	28	3460
	L40-	4000	32	3954
	L45-	4500	36	4448
	L50-	5000	40	4942
M 24° Medium 126.33 Lm/W	L15-	1500	12	1516
	L20-	2000	16	2021
	L25-	2500	20	2527
	L30-	3000	24	3032
	L35-	3500	28	3537
	L40-	4000	32	4043
	L45-	4500	36	4548
	L50-	5000	40	5053
W 36° Wide 125.21 Lm/W	L15-	1500	12	1503
	L20-	2000	16	2003
	L25-	2500	20	2504
	L30-	3000	24	3005
	L35-	3500	28	3506
	L40-	4000	32	4007
	L45-	4500	36	4508
	L50-	5000	40	5008
2X 55° Extra Wide 122.78 Lm/W	L15-	1500	12	1473
	L20-	2000	16	1964
	L25-	2500	20	2456
	L30-	3000	24	2947
	L35-	3500	28	3438
	L40-	4000	32	3929
	L45-	4500	36	4420
	L50-	5000	40	4911
L55-	5500	44	5402	

Beam Angle	SKU	Nominal	Watts	Delivered
3X 65° Extra Wide 125.55 Lm/W	L15-	1500	12	1503
	L20-	2000	16	2004
	L25-	2500	20	2504
	L30-	3000	24	3005
	L35-	3500	28	3506
	L40-	4000	32	4007
	L45-	4500	36	4508
	L50-	5000	40	5009
L55-	5500	44	5510	

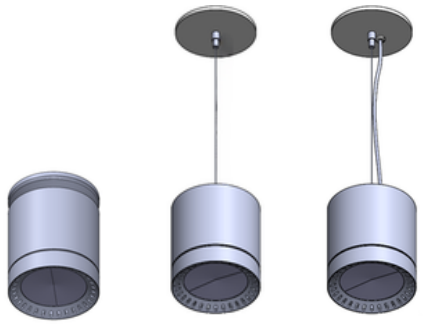
Multiplier		
CCT	80 CRI	90 CRI
2700K	0.905	0.759
3000K	0.945	0.795
3500K	0.970	0.822
4000K	1.000	0.845
5000K	1.000	0.845
5700K	1.000	0.845
6500K	0.987	0.845



NEOTERIC CYLINDER

MOUNTING & DIMENSIONS

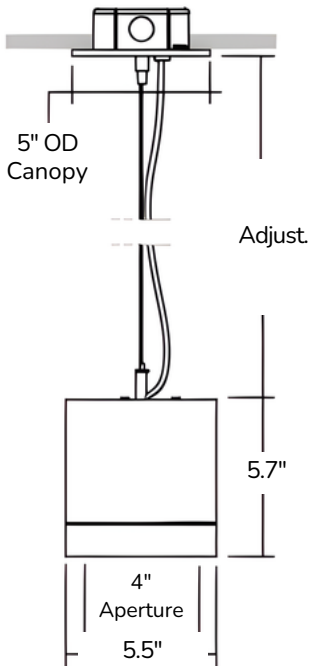
Remote Canopy



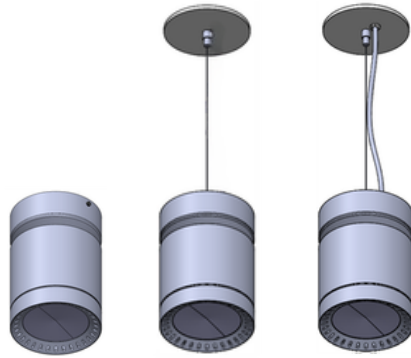
Surface Mount

Power Suspension

Pendant Mount



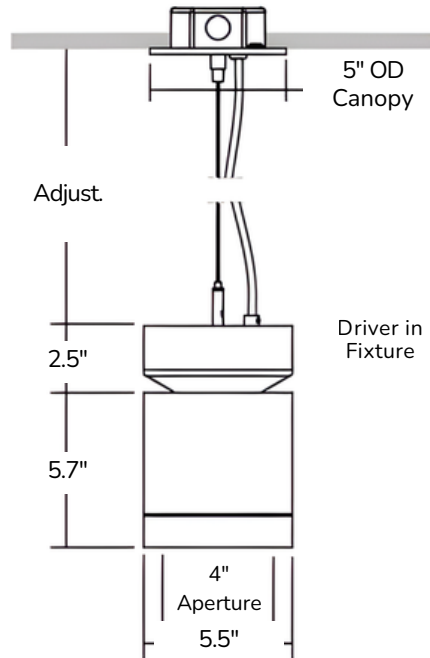
Integral Fixture



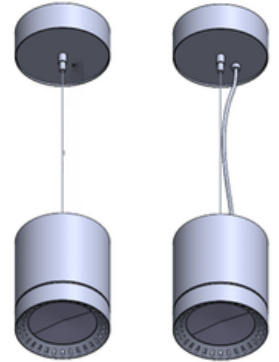
Surface Mount

Power Suspension

Pendant Mount



Integral Canopy



Power Suspension

Pendant Mount

