

# LANTANA LED

## NEOTERIC SLIM LINEAR

### SPECIFICATION



Minimalist profile with flexible mounting and low-output black lens option for ambient lighting. Perfect for decorative accents and architectural features.



**Efficacy Up to:** 119.3 Lm/W

**Total Output:** 9425

**Max Watt:** 80

**CRI:** 80, 90

**CCT:** 2700K-6500K

**UGR:** 25.7-32.9 4H/8H

**Lifetime:** TM 21 L90>71,000

#### Power Type:

- Class 2 Integral Line-Voltage 120/277V
- Remote Distributed Low Voltage

#### Ambient Operating Temp:

- -30°C to 50°C Remote
- -20°C to 50°C Integral

#### Mounting:

- Pendant
- Wall Mount
- Surface Mount

**Warranty:** 10-Year

#### Additional Features

- Custom Continuous Size from 12" to 96"
- Optional Blackout Lens for Ambient Lighting
- Up, Down, and Outward-Facing Mounting Capabilities
- 0-10V Dimming Down to 1%
- Emergency Available with Remote or External Battery
- Custom Finishes Available

#### Certifications

- UL 1598: Luminaires
- UL 2108: Low-Voltage
- TAA

#### Applications

- Hospitality
- Retail
- Commercial
- Cultural/Entertainment
- Wellness
- Accent
- Suitable for Damp Locations

#### Environmental:

- 100% Recycled Extruded Aluminum
- Recyclable Acrylic
- Title 24 Compliant

# NEOTERIC SLIM LINEAR

## ORDERING INFORMATION

Series/Type	Power	Size	Mounting
<b>NSLM-</b> Neoteric Slim Linear	<b>ICC-</b> Integral Compact Canopy <b>ILC-</b> Integral Linear Canopy <b>R-</b> Remote	<b>24-</b> 2 ft <b>48-</b> 4 ft <b>72-</b> 6 ft <b>96-</b> 8 ft <b>##-</b> Custom	<b>S-</b> Surface (Top) <b>WM-</b> Wall (Side) <b>P-</b> Pendant (Cable Suspended)
	Remote requires a distributed low-voltage driver unit (RDU) or an alternative DC power source. Sold separately. Includes class 2 driver, emergency not available.	Custom sizes in inches (##-) available in 6"/15 cm increments up to 96"/244 cm. Minimum 12"	Integral Linear Canopy and Integral Compact Canopy only available with pendant mount.

Optics	Distribution	Lumen Output
<b>BO-</b> Blackout Lens <b>DW-</b> Diffused White Lens	- NA	<b>L#-</b> L5-L95 24"-96" White Diffused Lens L5-L20 24"-96" Blackout Lens

See Lumen Tables for corresponding SKUs

Adaptive	CCT	CRI	Cord	Cord Color
- NA	<b>27-</b> 2700K <b>30-</b> 3000K <b>35-</b> 3500K <b>40-</b> 4000K <b>50-</b> 5000K <b>65-</b> 6500K	<b>80-</b> 80+ CRI <b>90-</b> 90+ CRI	- NA	- NA

Feed	Finish	End Cap	Sensors
- NA	<b>CA-</b> Clear Anodized Aluminum <b>BA-</b> Black Anodized Aluminum <b>CU-</b> Custom Color	- NA	- N/A

Specify RAL#. Custom colors may incur additional charges. Find options at [www.Tiger-Coatings.com](http://www.Tiger-Coatings.com) Metallics & Special Effects Vol. 2

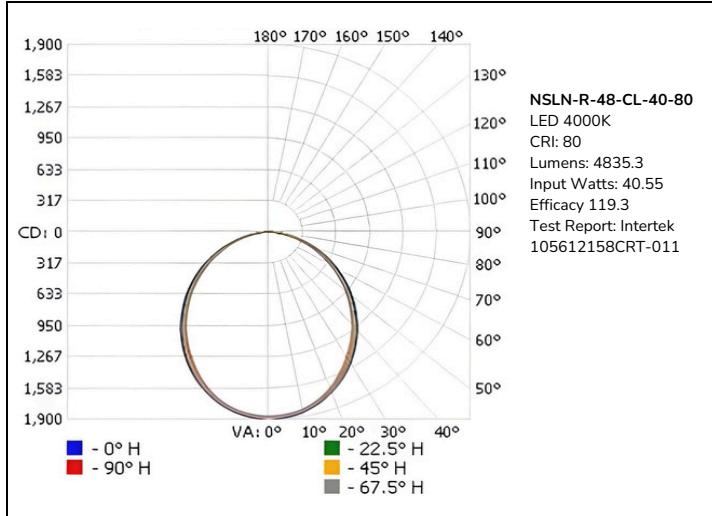
# NEOTERIC SLIM LINEAR

## PERFORMANCE

### Diffused White Lens

Delivered lumens tested at 4000K 80 CRI

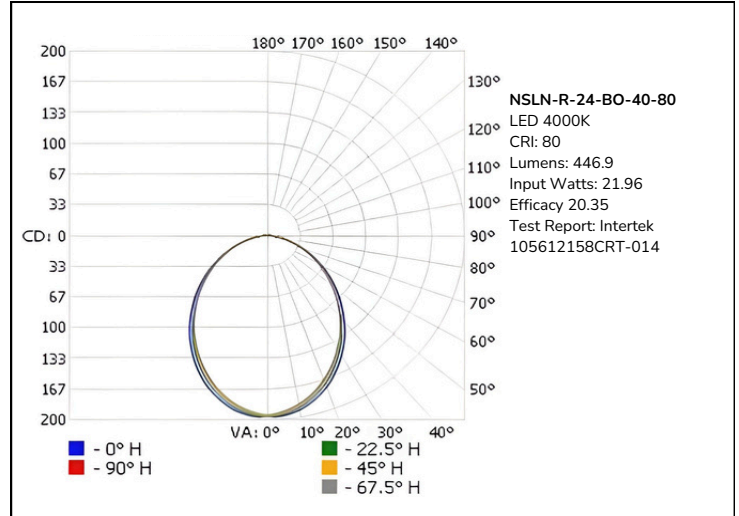
Calculated based on the light-emitting (usable) length.  
(Usable = total length minus 6" for end caps.)



### Blackout Lens

Delivered lumens tested at 4000K 80 CRI

Calculated based on the light-emitting (usable) length.  
(Usable = total length minus 6" for end caps.)



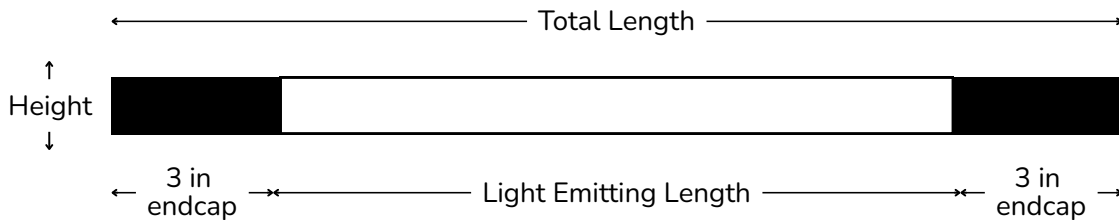
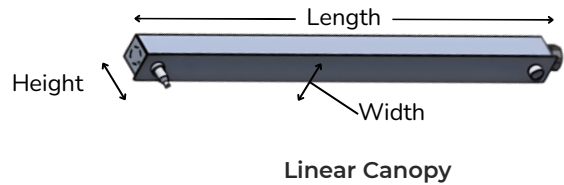
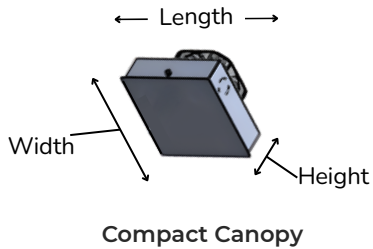
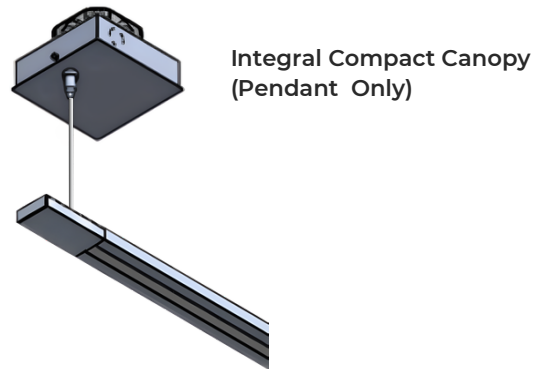
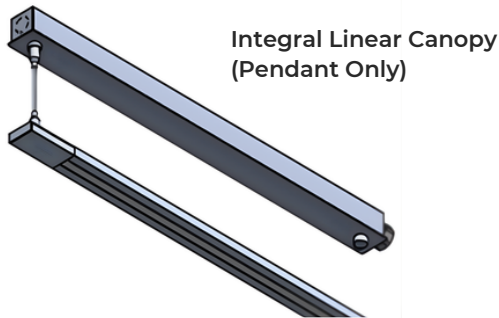
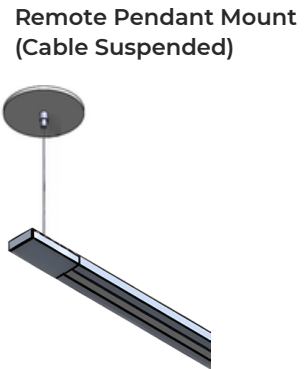
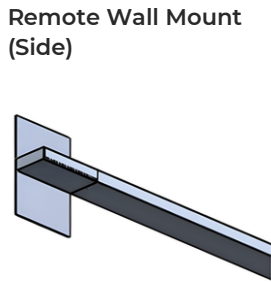
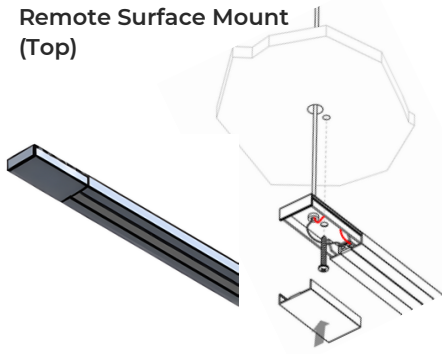
Size (Inches)	SKU	Light Emitting Length	Nominal	Wattage	Delivered
24" 609.6mm	L9-	18" 457.2mm	900	8	894
	L11-		1100	9	1073
	L14-		1400	11	1341
	L18-		1800	15	1789
48" 1219.2mm	L21-	42" 1066.8	2100	18	2087
	L25-		2500	21	2504
	L32-		3200	26	3130
	L42-		4200	35	4173
72" 1828.8mm	L33-	66" 1676.4mm	3300	28	3279
	L39-		3900	33	3935
	L50-		5000	41	4919
	L66-		6600	55*	6558
96" 2438.4mm	L45-	90" 2286.4mm	4500	38	4472
	L54-		5400	45	5366
	L68-		6800	56*	6707
	L90-		9000	75*	8943

Size	SKU	Light Emitting Length	Nominal	Wattage	Delivered
24" 609.6mm	L1-	18" 457.2mm	100	5	92
	L2-		200	9	183
	L3-		300	15	305
48" 1219.2mm	L4-	42" 1066.8	400	18	356
	L5-		500	21	427
	L6-		600	26	534
	L7-		700	35	712
72" 1828.8mm	L6-	66" 1676.4mm	600	28	560
	L7-		700	33	672
	L9-		900	41	839
	L12-		1200	55*	1119
96" 2438.4mm	L8-	90" 2286.4mm	800	38	763
	L10-		1000	45	916
	L12-		1200	56*	1145
	L16-		1600	75*	1526

\*Integral Compact Canopy not to exceed 45 Watts

# NEOTERIC SLIM LINEAR

## MOUNTING & DIMENSIONS



FIXTURE & CANOPY SIZES		TOTAL LENGTH		LIGHT EMITTING LENGTH		WIDTH		HEIGHT		WEIGHT	
		IN	MM	IN	MM	IN	MM	IN	MM	LBS/FT	KG/FT
FIXTURE		12-96	305 - 2438	6-90	152 - 2286	1.53	39	0.53	13	0.4	0.6
DRIVER CANOPIES	LINEAR	24.5	622			1.78	45	1.56	40	2	0.91
	COMPACT	5.375	137			5.375	137	1.56	40	2	0.91